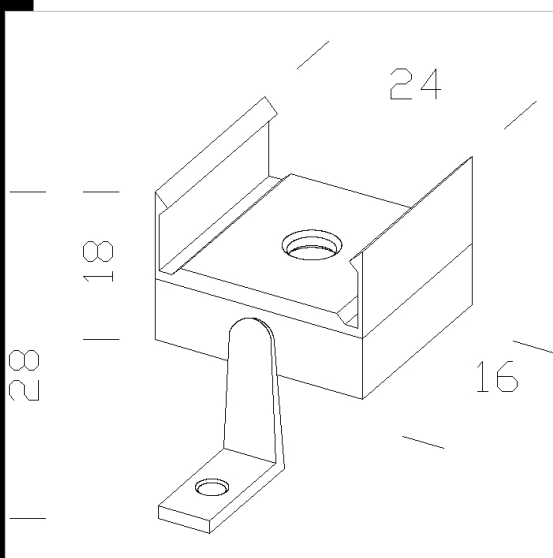


Adjustable Bracket - Microliset

Inox



Download
DXF 2D
- 25973.dxf

Code	Kg	WTot	Colour
22025976-00	0.02	0 W	STAINLESS STEEL

Products



The reported luminous flux is the flux emitted by the light source with a tolerance of $\pm 10\%$ compared to the indicated value. The W tot column indicates the total wattage absorbed by the system without exceeding 10% of the indicated