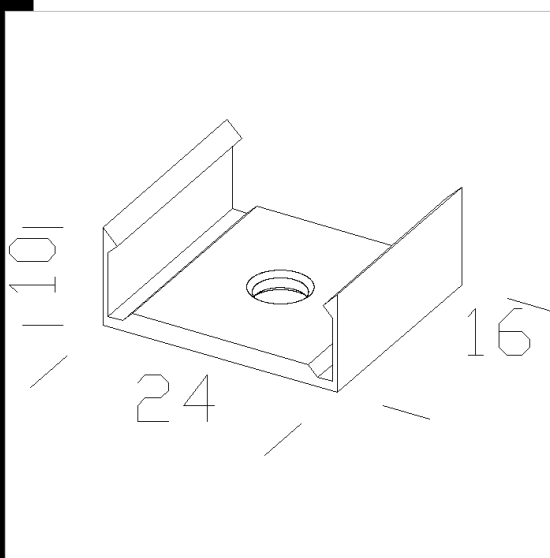


Bracket - Microliset

clear polycarbonate.



Download

DXF 2D
- 25972.dxf

Code	Kg	WTot
22025972-00	0.00	0 W

Products



The reported luminous flux is the flux emitted by the light source with a tolerance of $\hat{A} \pm 10\%$ compared to the indicated value. The W tot column indicates the total wattage absorbed by the system without exceeding 10% of the indicated