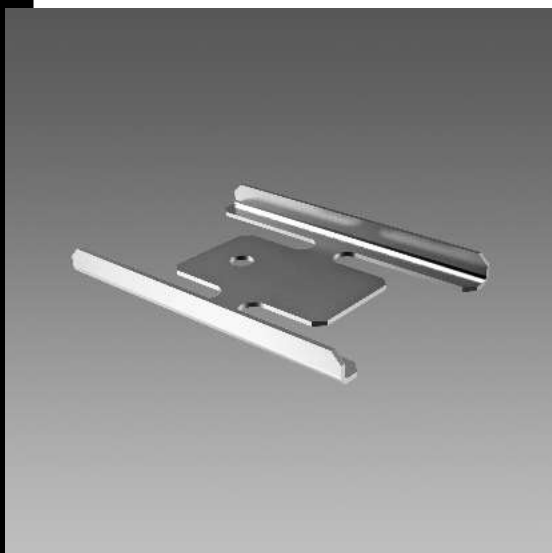


Joining bracket - Liset 2.0

It permits mechanical connection of the profiles.



Download

Code	Kg	WTot	Colour
22025877-00	0,04	0 W	GALVANIZED

Prodotti

	- Liset 2.0 - recessed - Dark light		- Liset 2.0 - suspension - direct		- Liset 2.0 - suspension - direct / indirect light - Dark light		- Liset 2.0 - recessed - comfort
	- Liset 2.0 - ceiling - comfort optics - UGR<19		- Liset 2.0 - suspension - direct - comfort optics - UGR<19		- Liset 2.0 - suspension - direct/indirect light - comfort optics - UGR<19		- Liset 2.0 - recessed - with polycarbonate diffuser
	- Liset 2.0 - ceiling - with polycarbonate diffuser		- Liset 2.0 - suspension - direct/indirect light - with polycarbonate diffuser		- Liset 2.0 - C+2S		- Liset 2.0 - C+H+3M - UGR<19
	- Liset 2.0 - C+M+2S - UGR<19		- Liset 2.0 - C+2M		- Liset 2.0 HE - suspension - direct light - UGR<19		- Liset 2.0 HE - suspension - direct light - 25° bi-asymmetric
	- Liset 2.0 HE - suspension		- Liset 2.0 HE - suspension		- Liset 2.0 TW - suspension		- Liset 2.0 HCL - suspension
	- Liset 2.0 TW - suspension - direct - with polycarbonate diffuser		- Liset 2.0 HCL - suspension - direct - with polycarbonate diffuser		- Liset 2.0 - ceiling - Dark light - UGR<19		- Liset 2.0 - suspension - direct - with polycarbonate diffuser
	- Liset 2.0 HE - suspension - direct light - 30°x80°						

The reported luminous flux is the flux emitted by the light source with a tolerance of $\pm 10\%$ compared to the indicated value. The W tot column indicates the total wattage absorbed by the system without exceeding 10% of the indicated