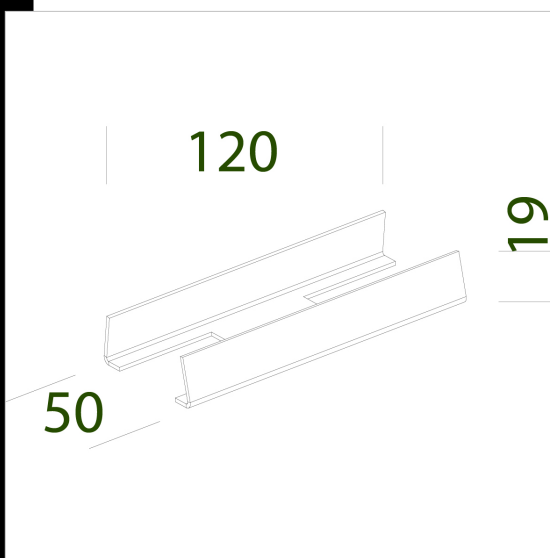


## Connecting bracket - Sintesi

It permits mechanical connection of the profiles.

### Download

DXF 2D  
- 22025876.dxf



Code	Kg	WTot	Colour
22025876-00	0,10	0 W	GALVANIZED

### Prodotti

	- Sintesi System - ceiling - wide-		- Sintesi System - suspension		- Sintesi System - ceiling - with		- Sintesi System - suspension -
	- Sintesi System - suspension direct/indirect - with UGR<19 shield		- Sintesi System - ceiling - Dark light - UGR<19		- Sintesi System - suspension - Dark light - UGR<19		- Sintesi System - suspension direct/indirect light - Dark light - UGR<19
	- Sintesi System - ceiling with matt shield - UGR<22		- Sintesi System - suspension with matt shield - UGR<22		- Sintesi System - suspension direct/indirect light - with matt shield - UGR<22		- Sintesi System - ceiling 25° bi-asymmetric - UGR<22
	- Sintesi System - ceiling 25° asymmetric - UGR<22		- Sintesi System - suspension direct/indirect light - 60° wide-beam - UGR<22		- Sintesi System - suspension - wide-beam		

The reported luminous flux is the flux emitted by the light source with a tolerance of  $\pm 10\%$  compared to the indicated value. The W tot column indicates the total wattage absorbed by the system without exceeding 10% of the indicated