

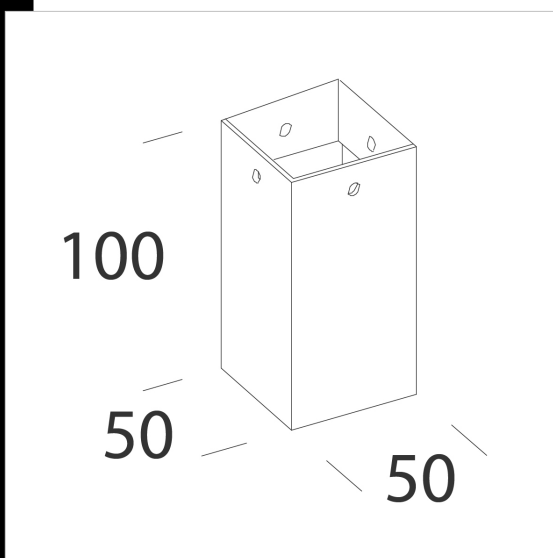


Download
DXF 2D
- giuntoang.dxf



Angle joint - Liset midpower

Utilize for Liset right angle installation.



| Code | Kg | WTot | Colour |
|-------------|------|------|---------|
| 22025814-00 | 0,20 | 0 W | BIANCO |
| 22025874-00 | 0,25 | 0 W | ARGENTO |

Prodotti



- Liset MidPower - suspension



- Liset MidPower darklight - suspension - direct and indirect



- Liset MidPower darklight -

The reported luminous flux is the flux emitted by the light source with a tolerance of $\pm 10\%$ compared to the indicated value. The W tot column indicates the total wattage absorbed by the system without exceeding 10% of the indicated