



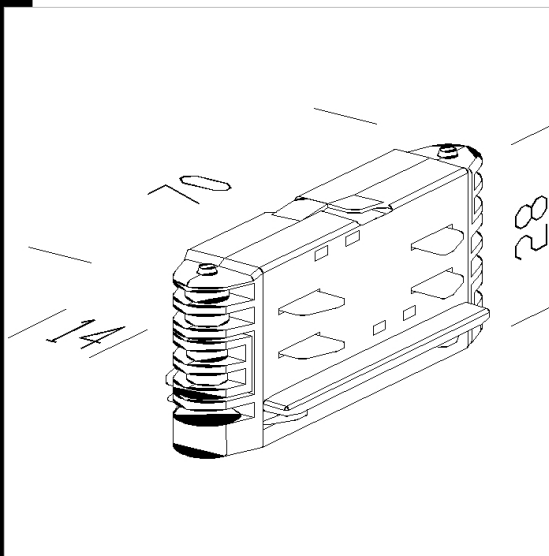
Download

DXF 2D
- f25410.dxf



Linear joint

For perfect alignment of two tracks and power connection.
Quick-connect with guide pawl.



Code	Kg	WTot	Colour
22025410-00	0.03	0 W	GREY
22025435-00	0.03	0 W	BLACK
22025404-00	0.03	0 W	WHITE

Products



- Omnitrack 3 circuit track



- Omnitrack recessed track



- Compendio track

The reported luminous flux is the flux emitted by the light source with a tolerance of $\pm 10\%$ compared to the indicated value. The W tot column indicates the total wattage absorbed by the system without exceeding 10% of the indicated