



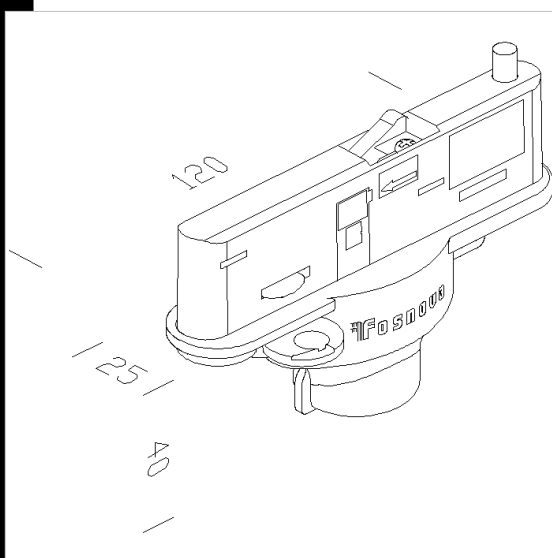
**Download**

DXF 2D  
- adatele.dxf



**Power adapter**

Power adapter. With a double locking device on the track and a 3 phase selection wheel safety fuses. Max load 5 kgs. Type approved for 6 A. It can be mounted on all major track systems available on market.



Code	Kg	WTot	Colour
22025331-00	0,10	0 W	BLACK
22025305-00	0,10	0 W	WHITE
22025310-00	0,10	0 W	GREY

**Prodotti**



- Trial-one ceramic



- Zoom 2



- Trial-One LED



- Zoom 1

The reported luminous flux is the flux emitted by the light source with a tolerance of  $\pm 10\%$  compared to the indicated value. The W tot column indicates the total wattage absorbed by the system without exceeding 10% of the indicated