



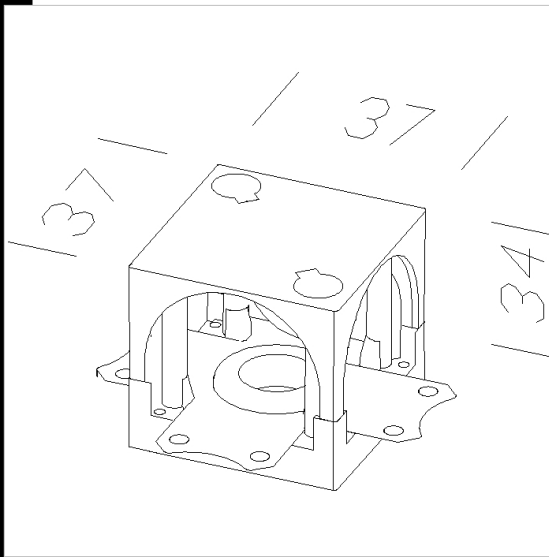
**Download**

DXF 2D  
- cubot.dxf



## T-joint cube

Permits T-joint connection.  
To be used with the power supply and 2 packets of cable acc. 25810. Includes two end plugs.



Code	Kg	WTot	Colour
22025212-00	0.05	0 W	GREY
22025233-00	0.05	0 W	BLACK
22025204-00	0.05	0 W	WHITE

The reported luminous flux is the flux emitted by the light source with a tolerance of  $\pm 10\%$  compared to the indicated value. The W tot column indicates the total wattage absorbed by the system without exceeding 10% of the indicated