



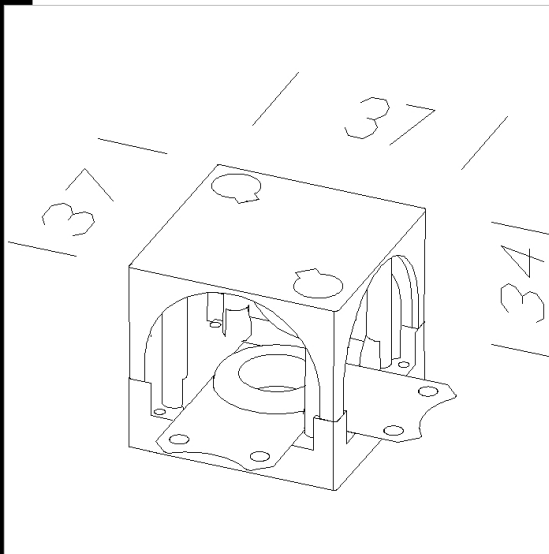
Download

DXF 2D
- cubol.dxf



L-joint cube

Permits L- joint connection.
To be used with the power supply and cable acc. 25810. Includes two end plugs.



Code	Kg	WTot	Colour
22025203-00	0.04	0 W	WHITE
22025232-00	0.04	0 W	BLACK
22025211-00	0.04	0 W	GREY

The reported luminous flux is the flux emitted by the light source with a tolerance of $\pm 10\%$ compared to the indicated value. The W tot column indicates the total wattage absorbed by the system without exceeding 10% of the indicated