



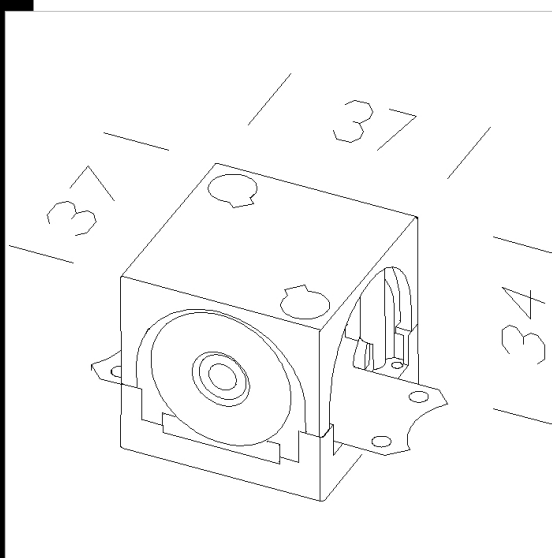
Download

DXF 2D
- cubolin.dxf



Linear joint cube

To be used with the power supply and with cable acc. 25810.



Code	Kg	WTot	Colour
22025231-00	0,04	0 W	BLACK
22025210-00	0,10	0 W	GREY
22025202-00	0,04	0 W	WHITE

The reported luminous flux is the flux emitted by the light source with a tolerance of $\pm 10\%$ compared to the indicated value. The W tot column indicates the total wattage absorbed by the system without exceeding 10% of the indicated