

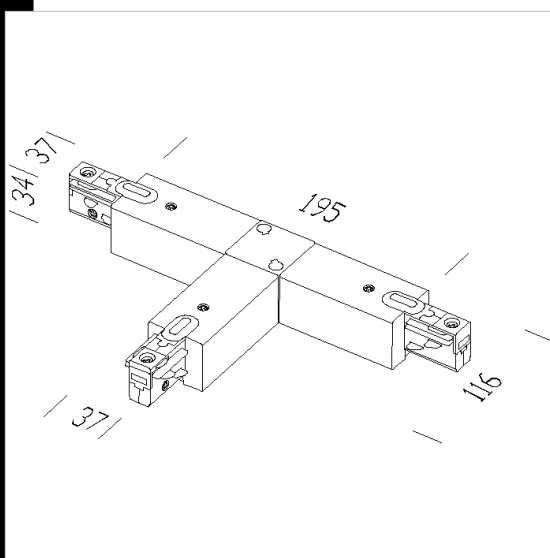


Download
DXF 2D
- giutisx.dxf



Left-hand T-joint

Preassembled component, ready to use. It permits "left-hand" electric and mechanical connection for T-joints. Includes two end plugs and power cable. Choice of lateral or rear power entry.



Code	Kg	WTot	Colour
22025108-00	0,30	0 W	WHITE
22025136-00	0,30	0 W	BLACK
22025115-00	0,30	0 W	GREY

Prodotti



- Omnitrack 3 circuit track



- Omnitrack with Cover



- Compendio track

The reported luminous flux is the flux emitted by the light source with a tolerance of $\pm 10\%$ compared to the indicated value. The W tot column indicates the total wattage absorbed by the system without exceeding 10% of the indicated