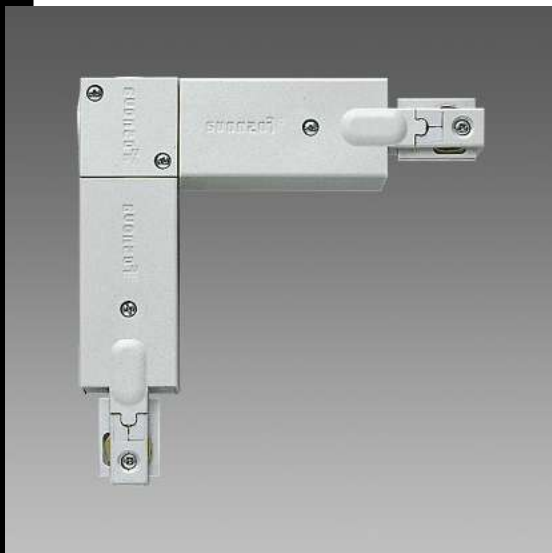




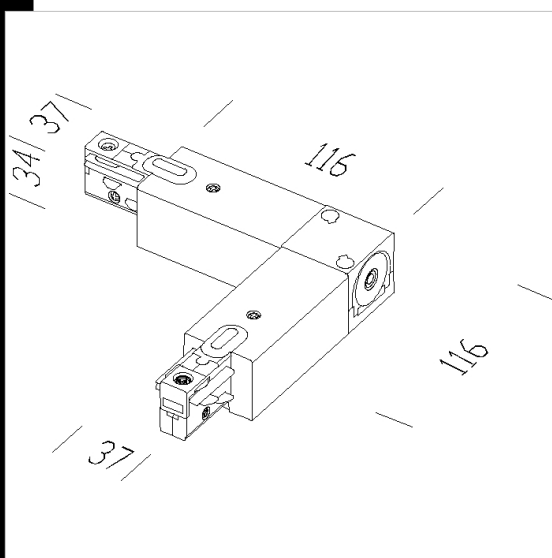
Download

DXF 2D  
- 25105.dxf



## Internal L-joint

Preassembled component, ready to use. It permits "internal" electric and mechanical connection for L-joints. Includes three end plugs and power cable. Choice of lateral or rear power entry.



Code	Kg	WTot	Colour
22025106-00	0,23	0 W	WHITE
22025113-00	0,22	0 W	GREY
22025134-00	0,20	0 W	BLACK

### Prodotti



- Omnitrack 3 circuit track



- Omnitrack with Cover



- Compendio track

The reported luminous flux is the flux emitted by the light source with a tolerance of  $\pm 10\%$  compared to the indicated value. The W tot column indicates the total wattage absorbed by the system without exceeding 10% of the indicated