



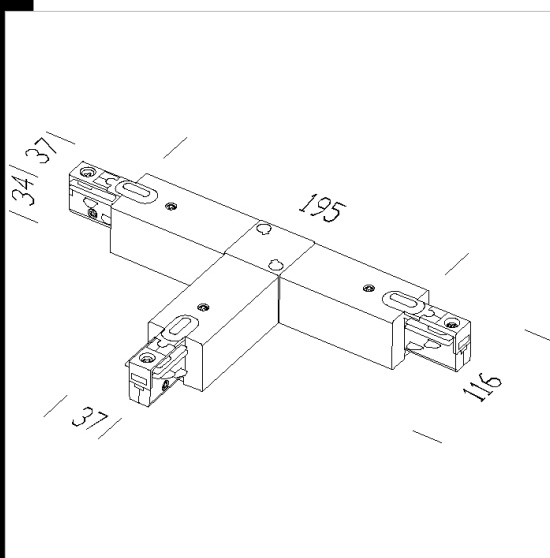
Download

DXF 2D
- giutdxf.dxf



Right-hand T-joint

Preassembled component, ready to use. It permits "right-hand" electric and mechanical connection for T-joints. Includes two end plugs and power cable. Choice of lateral or rear power entry.



Code	Kg	WTot	Colour
22025107-00	0,30	0 W	WHITE
22025135-00	0,32	0 W	BLACK
22025114-00	0,33	0 W	GREY

Prodotti



- Omnitrack 3 circuit track



- Omnitrack with Cover



- Compendio track

The reported luminous flux is the flux emitted by the light source with a tolerance of $\pm 10\%$ compared to the indicated value. The W tot column indicates the total wattage absorbed by the system without exceeding 10% of the indicated