



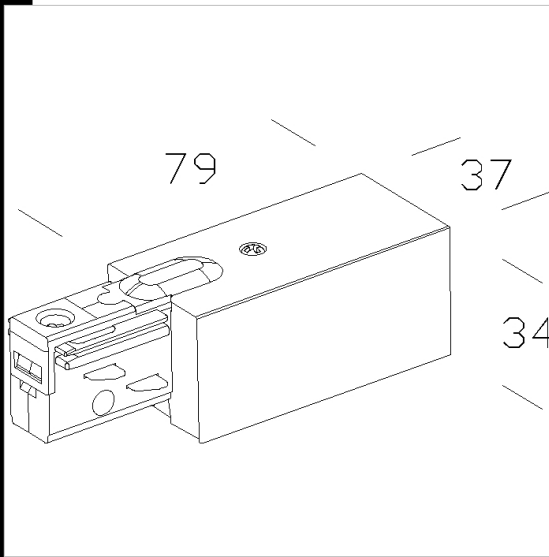
Download

DXF 2D
- f25110.dxf



Power supply

To power tracks. Quick-connect with a guide pawl and accessory for selection of phase-neutral position. It allows the power cable to be inserted either into the end cap or from the top. Used together with the cubes, it permits linear, L-shaped, T-shaped or cross-joint connections.



Code	Kg	WTot	Colour
22025110-00	0.09	0 W	GREY
22025131-00	0.09	0 W	BLACK
22025102-00	0.09	0 W	WHITE

Products



- Omnitrack 3 circuit track



- Omnitrack recessed track



- Omnitrack with Cover



- Compendio track

The reported luminous flux is the flux emitted by the light source with a tolerance of $\pm 10\%$ compared to the indicated value. The W tot column indicates the total wattage absorbed by the system without exceeding 10% of the indicated