

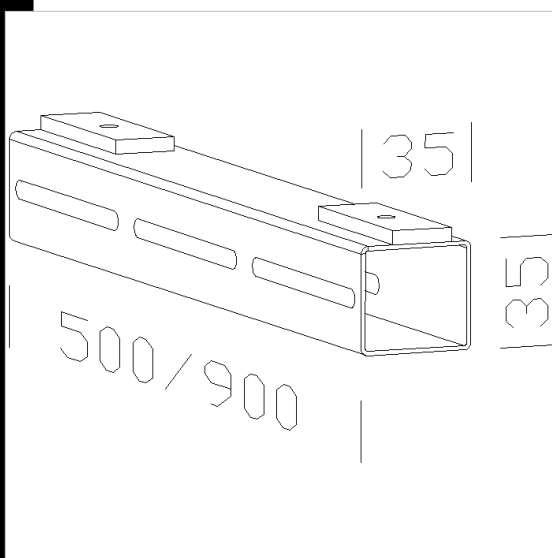
**Download**

DXF 2D  
- f24875.dxf



**Track bracket**

Tubular steel to join two Omnitrack tracks and attach bracket acc. 24870.



Code	Kg	WTot	Colour
22024879-00	0,80	0 W	OXIDIZED
22024875-00	0,50	0 W	OXIDIZED

**Prodotti**



- Omnitrack 3 circuit track

The reported luminous flux is the flux emitted by the light source with a tolerance of  $\pm 10\%$  compared to the indicated value. The W tot column indicates the total wattage absorbed by the system without exceeding 10% of the indicated