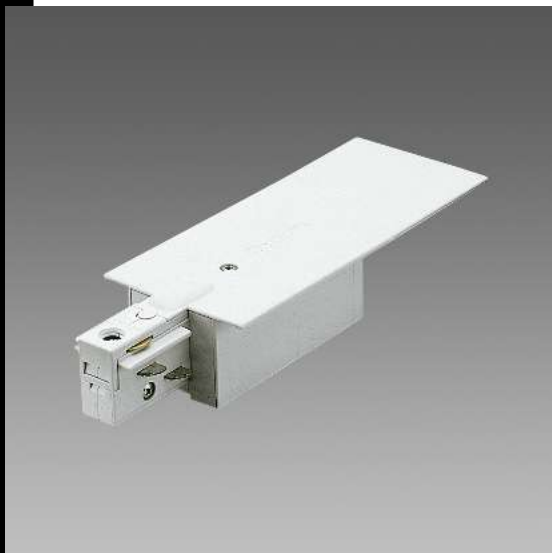


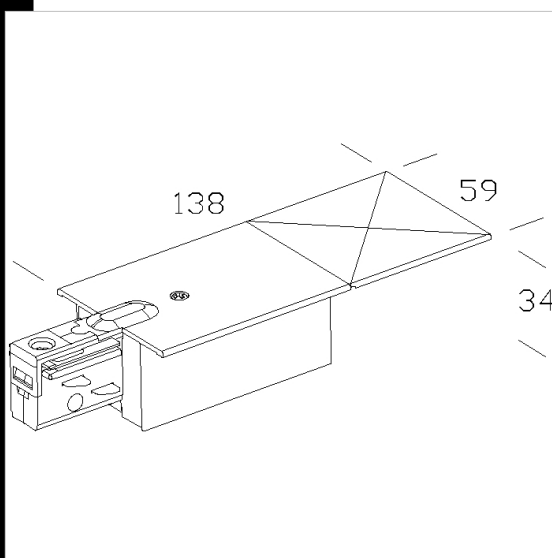
Download

DXF 2D
- f24710.dxf



Recessed power supply

To power tracks. Quick-connect with a guide pawl and an accessory for selection of phase-neutral position. It provides power cable entry and permits linear, L, T or cross-joint connections.



Code	Kg	WTot	Colour
22024710-00	0,10	0 W	WHITE
22024772-00	0,10	0 W	GREY

Prodotti



- Omnitrack recessed track

The reported luminous flux is the flux emitted by the light source with a tolerance of $\pm 10\%$ compared to the indicated value. The W tot column indicates the total wattage absorbed by the system without exceeding 10% of the indicated