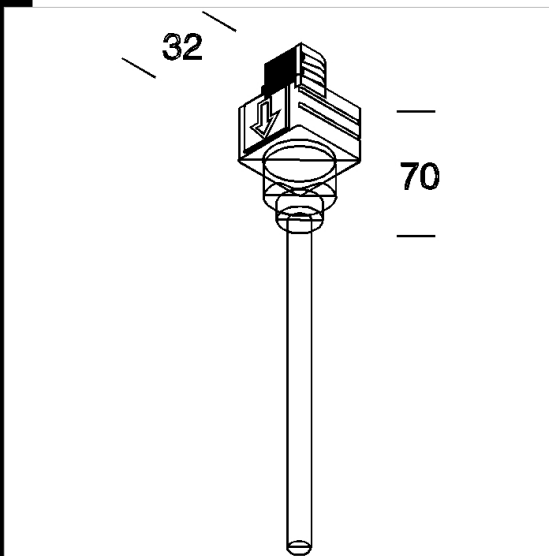


adapter

Max 6 A. In self-extinguishing f.g. nylon.



Code	Kg	WTot	Colour
22020127-00	0,04	0 W	BLACK
22024127-00	0,04	0 W	WHITE

Prodotti



- Omnitrack recessed track

The reported luminous flux is the flux emitted by the light source with a tolerance of $\pm 10\%$ compared to the indicated value. The W tot column indicates the total wattage absorbed by the system without exceeding 10% of the indicated