



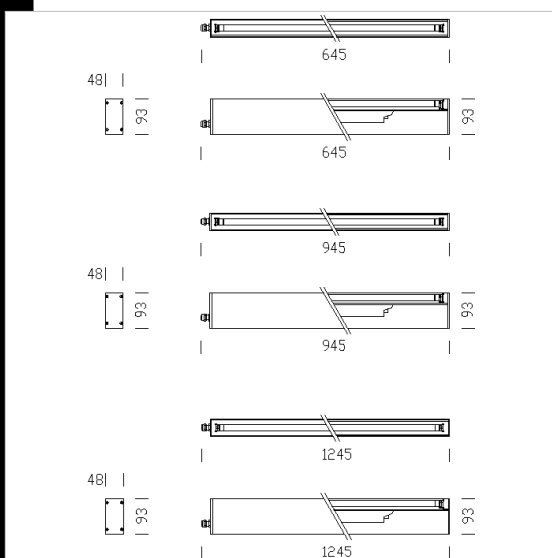
Maxi Liset IP54

Housing: made of oxidized extruded aluminium.
 Heads: in die-cast aluminium with polyester coating for exteriors.
 Diffuser: made of glass.

Download

DXF 2D
 - maxilisetip54t5.dxf

Montaggi
 - maxiliset ip40 ip54.pdf



Code	Gear	Kg	Lumen-K-CRI	WTot	Base	Colour
22019370-00	CELL	2.00	FL 1x24-1750lm-4000K-Ra 1b	26 W	G5	OSSIDATO
22019371-00	CELL	2.60	FL 1x34-3100lm-4000K-Ra 1b	43 W	G5	OSSIDATO
22019372-00	CELL	3.00		58 W		OSSIDATO

Accessories



- Ceiling suspension



- Ceiling connection



- Ceiling suspension



- Powered suspension 3-5 p



- Bracket - Maxi Liset



- Alignment joint - Maxi Liset



- Bracket - Maxi Liset



- Adjustable Bracket - Maxi Liset



- Bracket for Omnitrack - Maxi Liset

The reported luminous flux is the flux emitted by the light source with a tolerance of $\pm 10\%$ compared to the indicated value. The W tot column indicates the total wattage absorbed by the system without exceeding 10% of the indicated