

**Download**

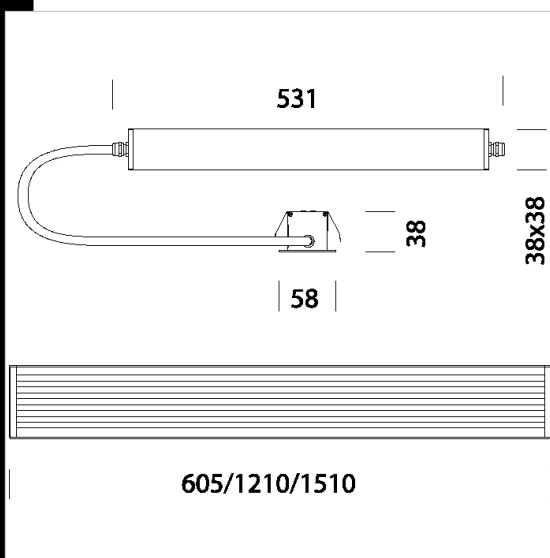
DXF 2D  
- 17511.dxf

Montaggi  
- minilinea inc parete.pdf



## Minilinea FL

Architectural signal light for mounting on plasterboard wall.  
Housing: in extruded aluminium with polyester paint and white clamps for plasterboard mounting.



Code	Gear	Kg	Lumen-K-CRI	WTot	Base	Colour
22017517-00	CELL	1.75	FL 1x35-4300lm-4000K-Ra 1b	38 W	G5	WHITE
22017513-00	CELL	1.40	FL 1x28-2650lm-4000K-Ra 1b	32 W	G5	WHITE
22017511-00	CELL	1.15	FL 1x14-1250lm-4000K-Ra 1b	16 W	G5	WHITE

The reported luminous flux is the flux emitted by the light source with a tolerance of  $\pm 10\%$  compared to the indicated value. The W tot column indicates the total wattage absorbed by the system without exceeding 10% of the indicated