

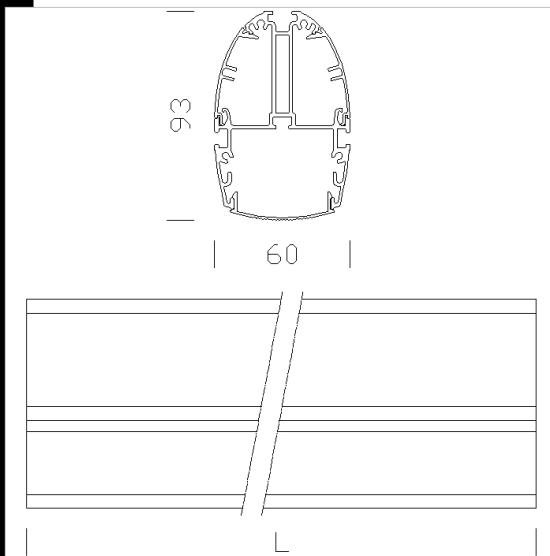


Structur Omnitrack

Struttura is designed to accommodate various types of leads as well as the OMNITRACK electrified track.
The structure's length should be selected according to use and to the fluorescent module to be installed.
Price by linear meter.
For the longer lengths it is necessary to choose the natural-colour oxidised version.

Download

DXF 2D
- 15974.dxf



Code	Gear	Kg	WTot	Colour
22015974-00	S	2.00	0 W	ALUMINIUM

Accessories



- Ceiling suspension



- Ceiling suspension



- Spherical Joint



- Giunto angolare Omnitrack



- Straight joint



- Raccordo



- Linear joint



- Cover struttura Omnitrack

The reported luminous flux is the flux emitted by the light source with a tolerance of $\pm 10\%$ compared to the indicated value. The W tot column indicates the total wattage absorbed by the system without exceeding 10% of the indicated