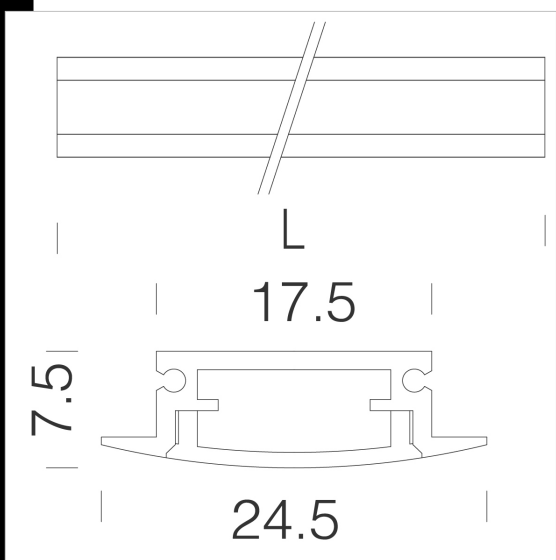


B Profile - recessed

Range of profiles in extruded aluminium for the installation of Strip LED. Their easy installation and linear design ensure multiple applications with an architectonic effect. Housing: in extruded aluminium. Diffusor: opal. Accessories always included: end caps, connectors to ceiling and/or walls.



Code	Kg	WTot	Colour
22012211-00	0.24	0 W	OPAL

The reported luminous flux is the flux emitted by the light source with a tolerance of $\pm 10\%$ compared to the indicated value. The W tot column indicates the total wattage absorbed by the system without exceeding 10% of the indicated