

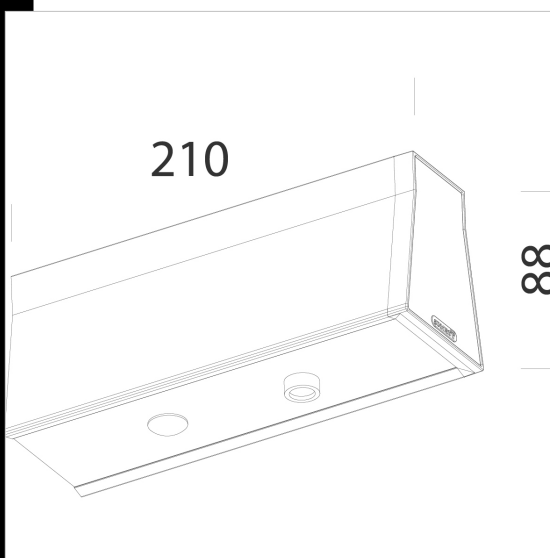
Sintesi Sensor - light and/or presence detector

In extruded aluminium complete with connecting bracket. It allows the mechanical alignment of profiles. The module comes with the light and/or presence sensor for smart light management.

Download

DXF 2D
- 22011619.dxf

Montaggi
- sintesi-Sensor.pdf



Code	Kg	WTot	Colour
22011619-00	1,08	0 W	WHITE

Prodotti

	- Sintesi System - ceiling - wide-		- Sintesi System - suspension		- Sintesi System - ceiling - with		- Sintesi System - suspension -
	- Sintesi System - suspension direct/indirect - with UGR<19 shield		- Sintesi System - ceiling - Dark light - UGR<19		- Sintesi System - suspension - Dark light - UGR<19		- Sintesi System - suspension direct/indirect light - Dark light - UGR<19
	- Sintesi System - ceiling with matt shield - UGR<22		- Sintesi System - suspension with matt shield - UGR<22		- Sintesi System - suspension direct/indirect light - with matt shield - UGR<22		- Sintesi System - ceiling 25° bi-asymmetric - UGR<22
	- Sintesi System - ceiling 25° asymmetric - UGR<22		- Sintesi System - suspension direct/indirect light - 60° wide-beam - UGR<22		- Sintesi System - suspension - wide-beam		

The reported luminous flux is the flux emitted by the light source with a tolerance of $\pm 10\%$ compared to the indicated value. The W tot column indicates the total wattage absorbed by the system without exceeding 10% of the indicated