



Linea LED "arredi"

Linea LED "Arredi": in its mini-sized version, is suitable for installation on ceilings and vertical surfaces.

Housing: profile in extruded aluminium with shield in opal PC.

Equipment: with band-shaped springs (one spring every 500 mm).

22010671-00 1210mm (Cut 1212x19mm)

22010672-00 1210mm (Cut 1212x19mm)

22010673-00 2410mm (Cut 2412x19mm)

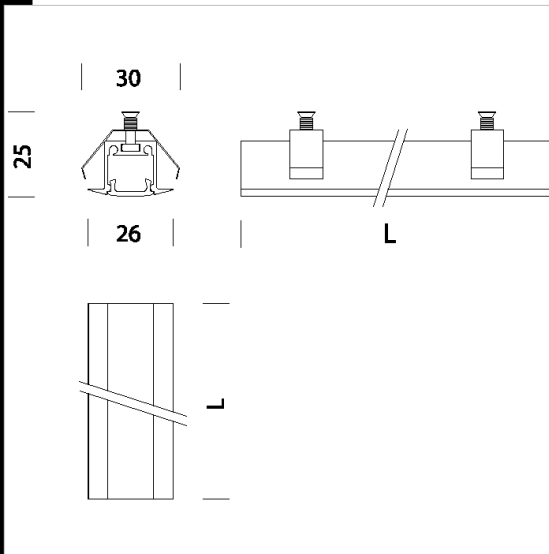
22010670-00 2410mm (Cut 2412x19mm)

Download

DXF 2D
- linled.dxf

Montaggi
- LINEA_LED_ARREDI rev5.pdf

BIM
- Linea LED arredi - 20200224.zip



Code	Gear	Kg	Lumen Output-K-CRI	WTot	Colour
22010671-00	CLD S+L	0,36	LED-3000lm-3000K-CRI>90	32 W	OXIDIZEDD
22010672-00	CLD S+L	0,35	LED-3000lm-4000K-CRI>90	28 W	OXIDIZEDD
22010673-00	CLD S+L	0,52	LED-6000lm-3000K-CRI>90	63 W	OXIDIZEDD
22010670-00	CLD S+L	0,65	LED-6000lm-4000K-CRI>90	56 W	OXIDIZEDD

Accessori



- End cap - Linea LED



- IP20 Driver - V in 100-277V



- IP20 Driver DIMM DALI - V in 220-240V 0/50/60Hz - V out 24V



- IP20 Driver - V in 120-277V



- IP20 Driver DIMM DALI - V in 220-240V 0/50/60Hz - V out 24V DC

The reported luminous flux is the flux emitted by the light source with a tolerance of $\pm 10\%$ compared to the indicated value. The W tot column indicates the total wattage absorbed by the system without exceeding 10% of the indicated