

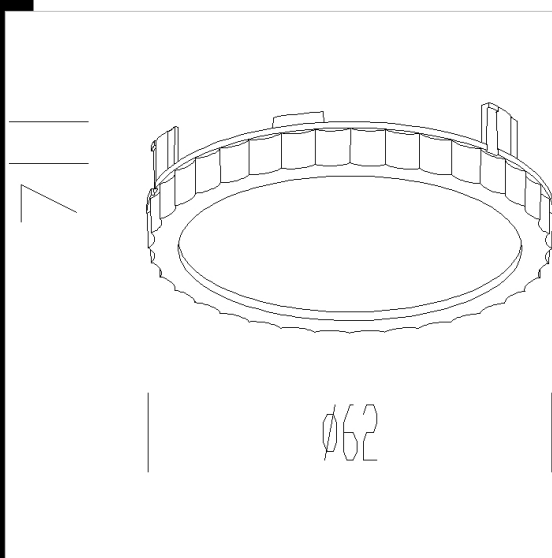
**Download**

DXF 2D  
- g8filt.dxf



**Coloured filter - Gi Otto**

Coloured glass with dichroic treatment.



Code	Kg	WTot	Colour
22005896-00	0,20	0 W	BLUE
22005897-00	0,20	0 W	RED
22005898-00	0,20	0 W	YELLOW
22005899-00	0,20	0 W	GREEN

**Prodotti**



- GiOtto 2 x ar111



- GiOtto 4 x ar111 Suspension



- GiOtto 2 x dicr fixed base

The reported luminous flux is the flux emitted by the light source with a tolerance of  $\pm 10\%$  compared to the indicated value. The W tot column indicates the total wattage absorbed by the system without exceeding 10% of the indicated