

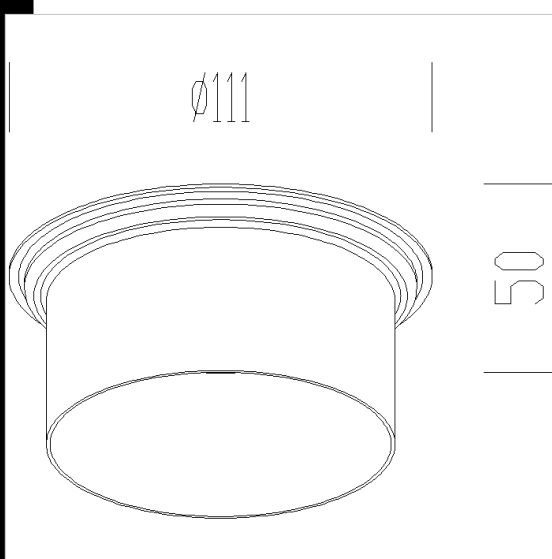
Conveyor Gi Otto

Directs the light beam.



Download

DXF 2D
- 5894.dxf



Code	Kg	WTot	Colour
22005894-00	0,40	0 W	BLACK

Prodotti



- Gi Otto with tiges



- GiOtto 2 x ar111



- GiOtto 4 x ar111 Suspension



- GiOtto 2 x ar111 fixed base



- GiOtto 4 x ar111



- GiOtto 2 x ar111 adjustable base

The reported luminous flux is the flux emitted by the light source with a tolerance of $\pm 10\%$ compared to the indicated value. The W tot column indicates the total wattage absorbed by the system without exceeding 10% of the indicated