

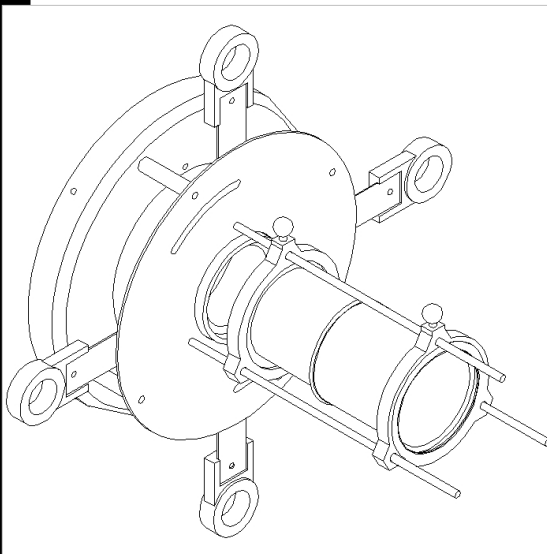
## Big Shaper



3° IP  
IK

### Download

DXF 2D  
- 5863.dxf



Code	Kg	WTot	Colour
22005863-00	0,70	0 W	BLACK

### Prodotti



- Vision D+N - CDM70 - FL -



- Vision D+N - CDM70 - FM -

The reported luminous flux is the flux emitted by the light source with a tolerance of  $\pm 10\%$  compared to the indicated value. The W tot column indicates the total wattage absorbed by the system without exceeding 10% of the indicated