

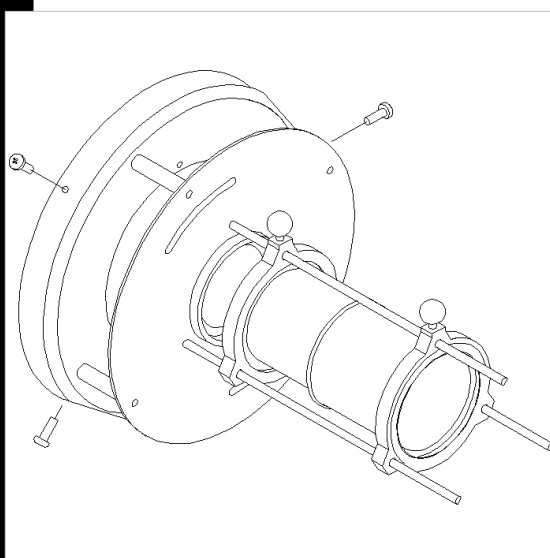


3° IP
IK

Download

DXF 2D
- 5862.dxf

Small Shaper



Code	Kg	WTot	Colour
22005862-00	0,30	0 W	BLACK

Prodotti



- Vision D+N - CDM70 - FM -



- Vision D+N - CDM70 - FM -



- Vision E+N - FM - Base



- Vision E+N - FM - Universal



- Vision E+N - FL - Universal adapter



- Vision D+N - CDM70 - FL - Universal adapter



- Vision D+N - CDM70 - FL - Base



- Vision E+N - FL - Base

The reported luminous flux is the flux emitted by the light source with a tolerance of $\pm 10\%$ compared to the indicated value. The W tot column indicates the total wattage absorbed by the system without exceeding 10% of the indicated