

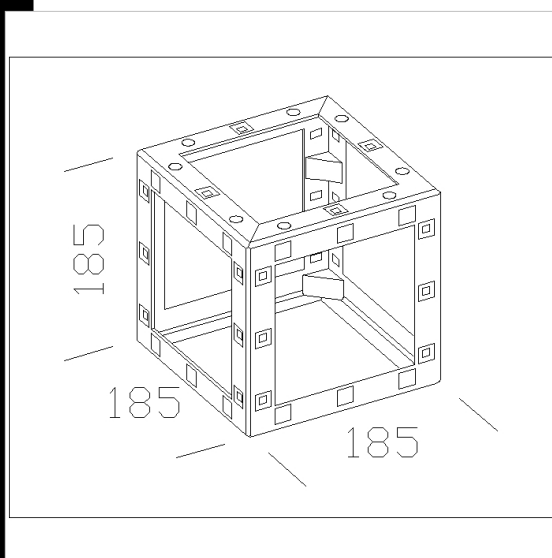
**Download**

DXF 2D  
- 5474.dxf



**"S" module**

"S" module without supply and floodlight.



Code	Kg	WTot	Colour
22005474-00	0,90	0 W	SILVER

**Prodotti**



- Compendio - COB



- Compendio AR single



- Compendio



- Compendio track

The reported luminous flux is the flux emitted by the light source with a tolerance of  $\pm 10\%$  compared to the indicated value. The W tot column indicates the total wattage absorbed by the system without exceeding 10% of the indicated