

3° IP
IK

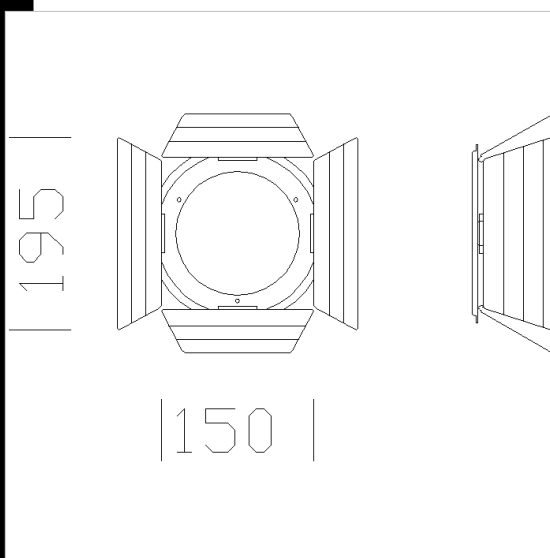
Download

DXF 2D
- deflett.dxf



Anti-dazzle shutter Ø 150

In steel used to shield the light beam.
For AR111, E27, JMT



Code	Kg	WTot	Colour
22005220-00	0,50	0 W	WHITE
22005230-00	0,20	0 W	BLACK

Prodotti



- Cast "A+C+J" - Base



- Gotham

The reported luminous flux is the flux emitted by the light source with a tolerance of $\pm 10\%$ compared to the indicated value. The W tot column indicates the total wattage absorbed by the system without exceeding 10% of the indicated