

3° IP
IK

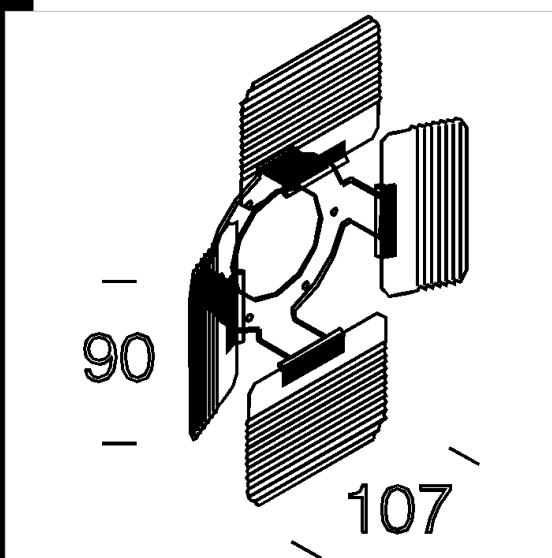
Download

DXF 2D
- v_005218.dxf



Anti-dazzle shutter and conveyor

In steel. Used to direct the light beam.



Code	Kg	WTot	Colour
22005218-00	0,00	0 W	WHITE
22005228-00	0,40	0 W	BLACK

Prodotti



- Matrix A2 MASTERLED



- Mini Leo 5 - Base version



- Mini Leo 5 - Universal adapter

The reported luminous flux is the flux emitted by the light source with a tolerance of $\pm 10\%$ compared to the indicated value. The W tot column indicates the total wattage absorbed by the system without exceeding 10% of the indicated