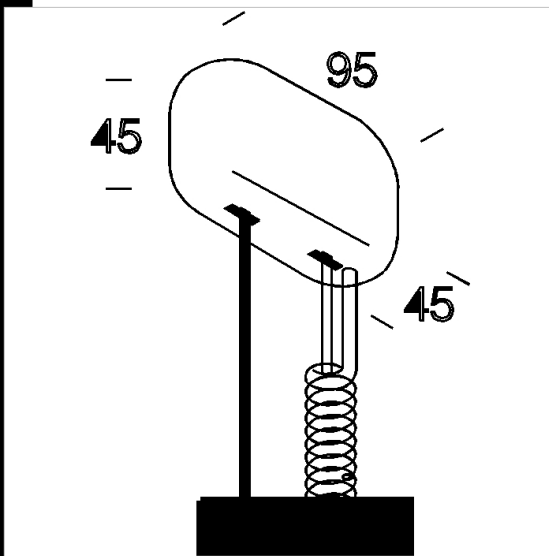


Download  
DXF 2D  
- v\_005087.dxf



### Two lamp powered hanger

Adjustable hanger with steel wire (l=1,5m) and ceiling rose in f.g. nylon with spiral power supply cable (2000 W max).  
Max load: 20 Kg. Only for suspension of end cap acc 5069.



Code	Kg	WTot	Colour
22005087-00	0,00	0 W	WHITE

#### Prodotti



- Compendio G

The reported luminous flux is the flux emitted by the light source with a tolerance of  $\pm 10\%$  compared to the indicated value. The W tot column indicates the total wattage absorbed by the system without exceeding 10% of the indicated