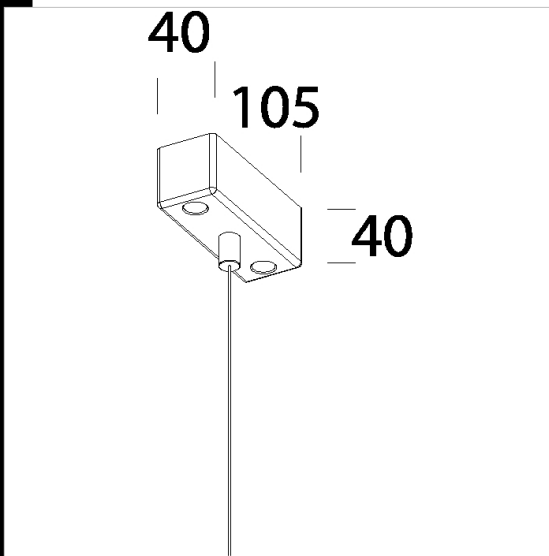




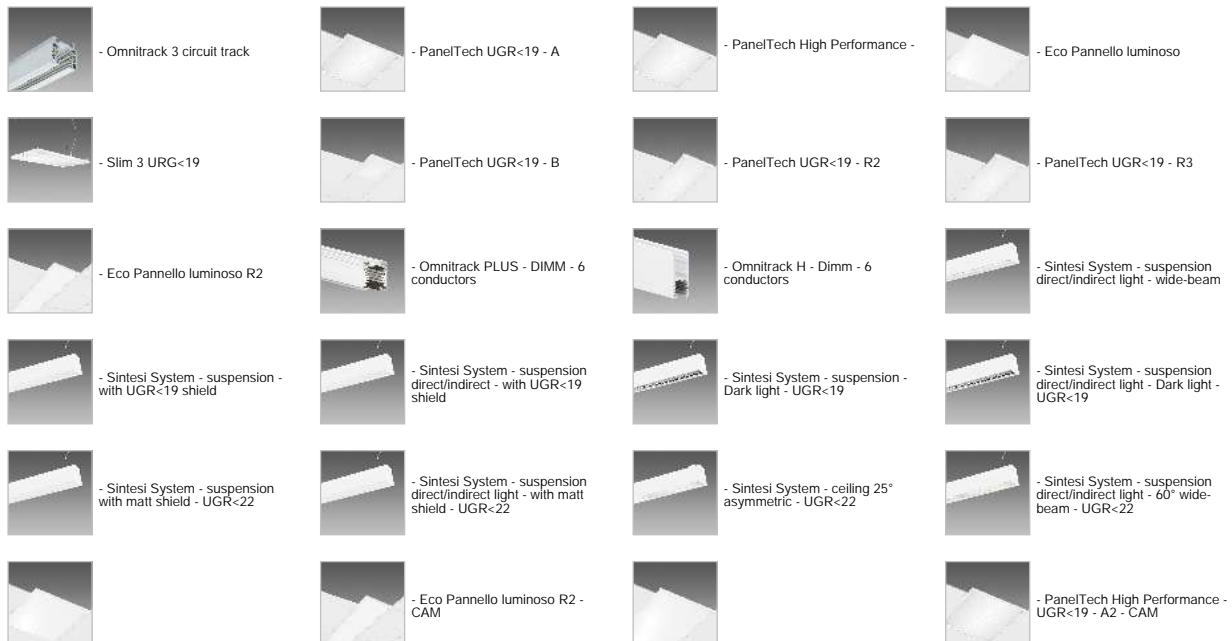
Ceiling suspension Q

Completed with steel wire and millimetre adjustment device. Max load: 20 kg.



Code	Kg	WTot	Colour
22003176-00	0.20	0 W	SILVER
22003118-00	0.22	0 W	WHITE
22003138-00	0.22	0 W	BLACK

Products



The reported luminous flux is the flux emitted by the light source with a tolerance of $\pm 10\%$ compared to the indicated value. The W tot column indicates the total wattage absorbed by the system without exceeding 10% of the indicated

Ceiling suspension Q

Products



- PanelTech High Performance - UGR<19 - R2 - CAM



- Sinlesi System - suspension - wide-beam



- PanelTech High Performance - UGR<19 - R2



- PanelTech High Performance UGR<19 - A



- Liset 2.0 - suspension - direct light - Dark light - UGR<19



- Liset 2.0 - suspension - direct - comfort optics - UGR<19



- Liset 2.0 - C+2S



- Liset 2.0 - C+H+3M - UGR<19



- Liset 2.0 - C+M+2S - UGR<19



- Liset 2.0 - C+2M



- Liset 2.0 - C 4D



- Liset 2.0 - C 2D+2M



- Liset 2.0 - C 4M



- Liset 2.0 HE - suspension - direct light - UGR<19



- Liset 2.0 HE - suspension - direct light - 25° bi-asymmetric



- Liset 2.0 HE - suspension - direct light - 25° asymmetric



- Liset 2.0 HE - suspension - direct light - 90°



- Liset 2.0 TW - suspension - direct - comfort optics - UGR<19



- Liset 2.0 HCL - suspension - direct - comfort optics - UGR<19



- Liset 2.0 TW - suspension - direct - with polycarbonate diffuser



- Liset 2.0 HCL - suspension - direct - with polycarbonate diffuser



- Liset 2.0 HE - suspension - direct light - 30°x80°

The reported luminous flux is the flux emitted by the light source with a tolerance of $\pm 10\%$ compared to the indicated value. The W tot column indicates the total wattage absorbed by the system without exceeding 10% of the indicated