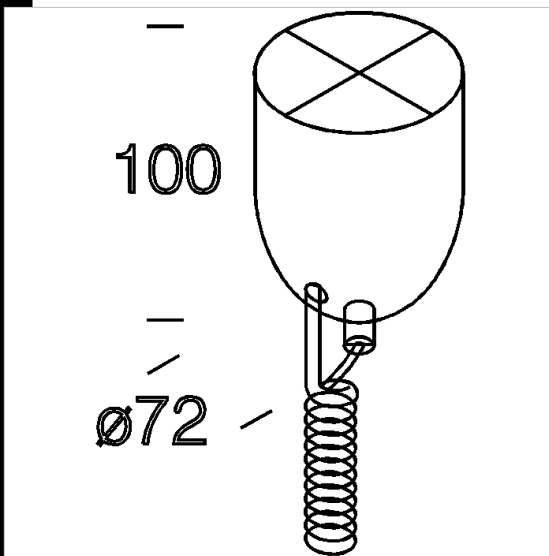




Powered ceiling suspension

With steel wire (l=1.5m) and millimetre adjustment device, spiral power cord.
Max load: 20 kgs.



Code	Kg	WTot	Colour
22003187-00	0.30	0 W	WHITE
22003107-00	0.36	0 W	BLACK

Products



- Omnitrack 3 circuit track



- GiOtto 4 x ar111 Suspension

The reported luminous flux is the flux emitted by the light source with a tolerance of $\pm 10\%$ compared to the indicated value. The W tot column indicates the total wattage absorbed by the system without exceeding 10% of the indicated