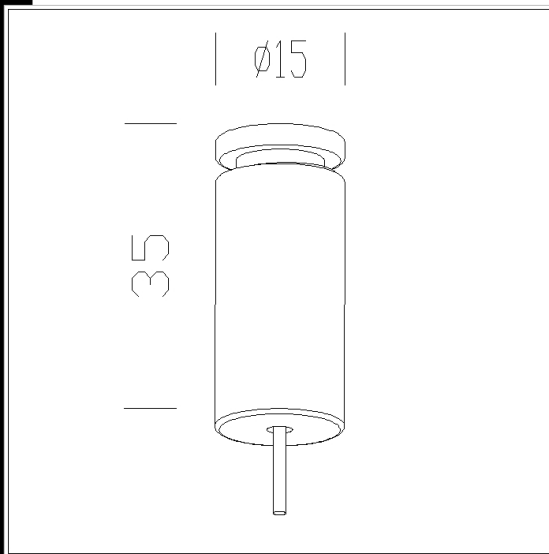




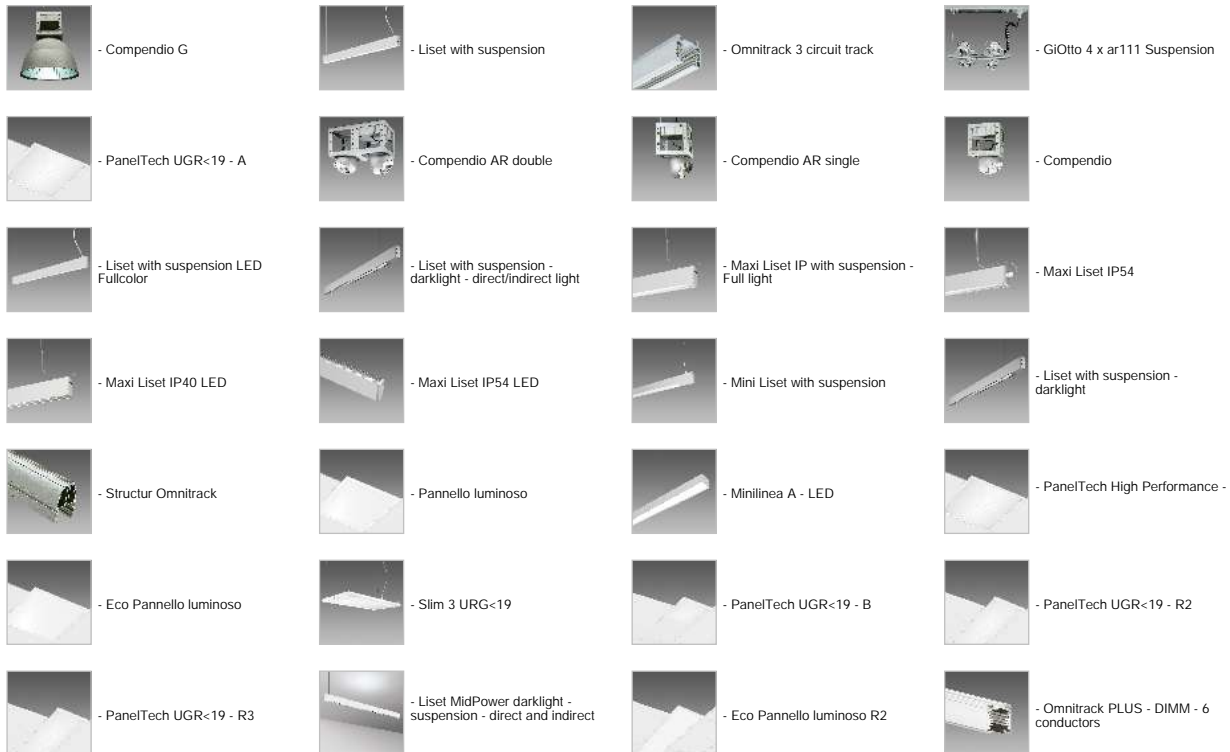
Ceiling suspension

Hanger with steel wire (l=1.75 m). Max load: 20 Kg.




| Code | Kg | WTot | Colour |
|-------------|------|------|--------|
| 22003166-00 | 0.09 | 0 W | NICKEL |

Products



The reported luminous flux is the flux emitted by the light source with a tolerance of $\pm 10\%$ compared to the indicated value. The W tot column indicates the total wattage absorbed by the system without exceeding 10% of the indicated

Products

| | | | | | | | |
|---|--|---|--|--|--|---|---|
|  | - Omnitrack H - Dimm - 6 conductors |  | - Sintesi System - suspension direct/indirect light - wide-beam |  | - Sintesi System - suspension with UGR<19 shield |  | - Sintesi System - suspension direct/indirect - with UGR<19 shield |
|  | - Sintesi System - suspension - Dark light - UGR<19 |  | - Sintesi System - suspension direct/indirect light - Dark light - UGR<19 |  | - Sintesi System - suspension with matt shield - UGR<22 |  | - Sintesi System - suspension direct/indirect light - with matt shield - UGR<22 |
|  | - Sintesi System - ceiling 25° asymmetric - UGR<22 |  | - Sintesi System - suspension direct/indirect light - 60° wide-beam - UGR<22 |  | - Eco Pannello luminoso - CAM |  | - Eco Pannello luminoso R2 - CAM |
|  | - Eco Pannello luminoso R4 |  | - PanelTech High Performance - UGR<19 - R2 - CAM |  | - PanelTech High Performance - UGR<19 - R2 - CAM |  | - Sintesi System - suspension - wide-beam |
|  | - Maxi Liset IP40 - Full light |  | - PanelTech High Performance - UGR<19 - R2 |  | - PanelTech High Performance - UGR<19 - A |  | - Liset 2.0 - suspension - direct light - Dark light - UGR<19 |
|  | - Liset 2.0 - suspension - direct / indirect light - Dark light - UGR<19 |  | - Liset 2.0 - suspension - direct - comfort optics - UGR<19 |  | - Liset 2.0 - suspension - direct/indirect light - comfort optics - UGR<19 |  | - Liset 2.0 - suspension - direct/indirect light - with polycarbonate diffuser |
|  | - Liset 2.0 - C+2S |  | - Liset 2.0 - C+H+3M - UGR<19 |  | - Liset 2.0 - C+M+2S - UGR<19 |  | - Liset 2.0 - C+2M |
|  | - Liset 2.0 - C 4D |  | - Liset 2.0 - C 2D+2M |  | - Liset 2.0 - C 4M |  | - Liset 2.0 HE - suspension - |
|  | - Liset 2.0 HE - suspension - |  | - Liset 2.0 HE - suspension - |  | - Liset 2.0 HE - suspension - |  | - Liset 2.0 TW - suspension - |
|  | - Liset 2.0 HCL - suspension - |  | - Liset 2.0 TW - suspension direct - with polycarbonate |  | - Liset 2.0 HCL - suspension direct - with polycarbonate |  | - Liset 2.0 - suspension - direct - |
|  | - Liset 2.0 HE - suspension - | | | | | | |

The reported luminous flux is the flux emitted by the light source with a tolerance of $\pm 10\%$ compared to the indicated value. The W tot column indicates the total wattage absorbed by the system without exceeding 10% of the indicated