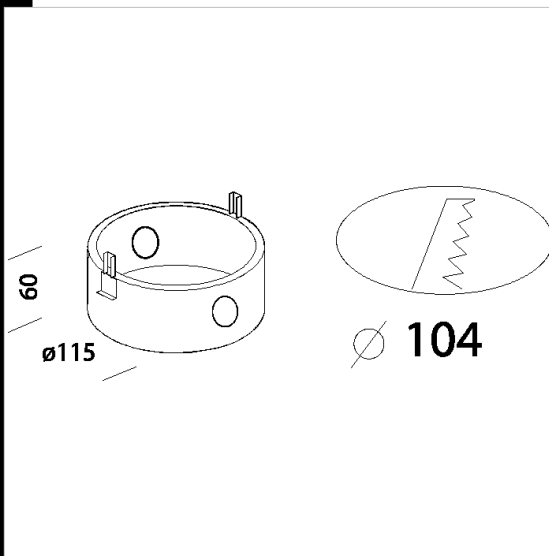
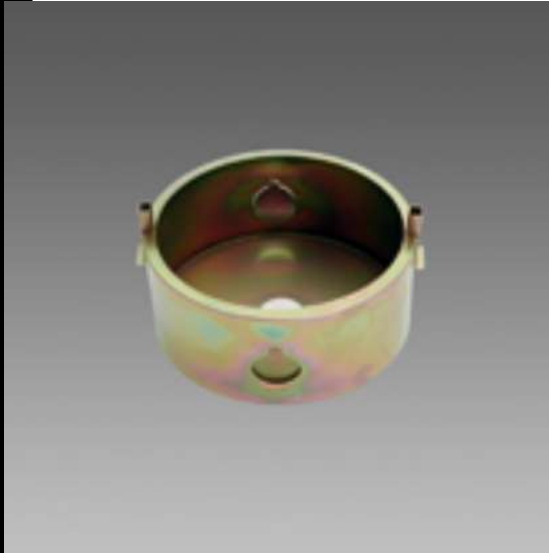


Download

DXF 2D
- 2401.dxf



Code	Kg	WTot	Colour
22002401-00	0.10	0 W	INOX

Products



- Cortesia 2

The reported luminous flux is the flux emitted by the light source with a tolerance of $\pm 10\%$ compared to the indicated value. The W tot column indicates the total wattage absorbed by the system without exceeding 10% of the indicated