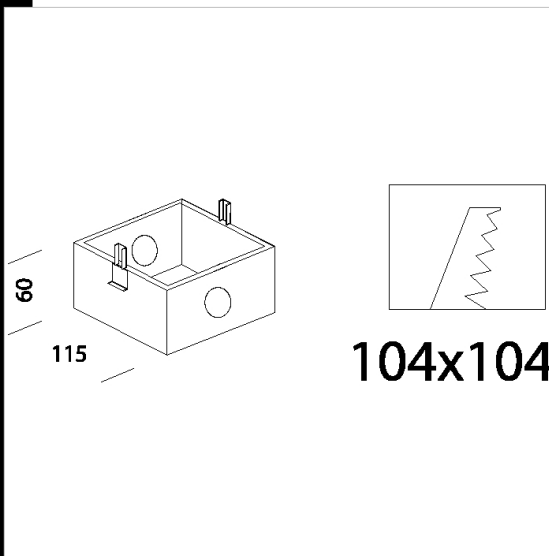


Download

DXF 2D
- 2400.dxf



Code	Kg	WTot	Colour
22002400-00	0.15	0 W	STAINLESS STEEL

Products



- Cortesia 1

The reported luminous flux is the flux emitted by the light source with a tolerance of $\pm 10\%$ compared to the indicated value. The W tot column indicates the total wattage absorbed by the system without exceeding 10% of the indicated