



#### 414 Boreale - with asymmetric reflector without diffuser

Housing: In hot-dip rolled galvanized steel, with rounded edges to protect hands, and end caps in self-extinguishing material.

Reflector: Asymmetric

Painting: pre-stove enamelled with grey (RAL 7035) polyester resin, UV-stabilized, upon phosphate treatment.

Lampholder: In polycarbonate, with phosphor bronze contacts. Socket G5; G13.

Electric gear: 230-240 V/50 Hz power supply. Hard wire, 0.50 sqmm cross-section and PVC-HT sheath, resistant up to 90°C according to CEI 20/20 standards. 2P+T terminal block with maximum allowed lead cross-section of 2.5 sqmm.

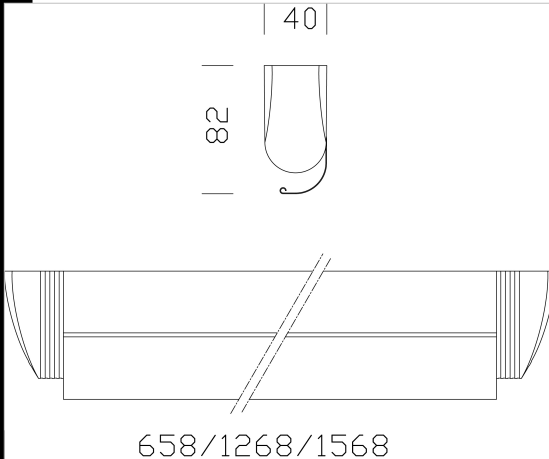
Standard supply: Universal base for fitting either on the ceiling as a suspension fixture, wall or other surfaces.

Regulations: Produced according to applicable EN60598-1 - CEI 34-21 standards. IP20IK07 degree of protection according to EN 60529 standards. This product can be installed on normally inflammable surfaces.

#### Download

DXF 2D  
- 414.dxf

Montaggi  
- boreale 2013.pdf



Code	Gear	Kg	Watt	Base	Lamps	Colour
214924-08	CELL	2,20	FL 1x36	G13	3350lm-4000K-Ra 1b	WHITE
214923-08	CELL	1,50	FL 1x30	G13	2350lm-4000K-Ra 1b	WHITE
214925-08	CELL	2,50	FL 1x58	G13	5200lm-4000K-Ra 1b	WHITE
214922-08	CELL	0,80	FL 1x18	G13	1350lm-4000K-Ra 1b	WHITE

#### Accessories



- 2511 one-lamp powered



- 2510 one-lamp suspension