

413 Boreale - simple+ plexiglass diffuser

Housing: In rolled hot-dip galvanized steel, with rounded edges to protect hands and end caps in self-extinguishing material.
Diffuser: In UV-stabilized opal plexiglass.

Reflector: Parabolic, in rolled steel.

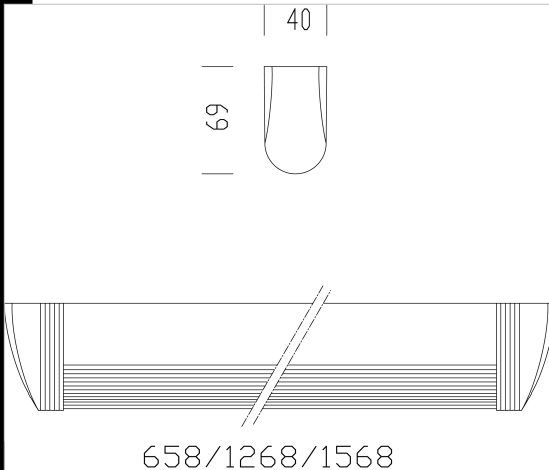
Painting: Pre-stove enamelled with grey (RAL 7035) polyester resin, UV-stabilized, upon phosphate treatment.

Lampholder: In polycarbonate, with phosphor bronze contacts. Socket G5; G13.

Electric gear: 230-240 V/50 Hz power supply. Hard wire, 0.50 sqmm cross-section and PVC-HT sheath, resistant up to 90°C according to CEI 20/20 standards. 2P+T terminal block with maximum allowed lead cross-section of 2.5 sqmm.

Standard supply: Universal base for fitting either on the ceiling as a suspension fixture, wall or other surfaces.

Regulations: Produced according to applicable EN60598-1 - CEI 34-21 standards. IP20IK07 degree of protection according to EN 60529 standards. This product can be installed on normally inflammable surfaces.



| Code | Gear | Kg | Watt | Base | Lamps | Colour |
|-----------|------|------|---------|------|--------------------|--------|
| 214915-08 | CELL | 0,92 | FL 1x58 | G13 | 5200lm-4000K-Ra 1b | WHITE |
| 214913-08 | CELL | 1,40 | FL 1x30 | G13 | 2350lm-4000K-Ra 1b | WHITE |
| 214914-08 | CELL | 1,52 | FL 1x36 | G13 | 3350lm-4000K-Ra 1b | WHITE |
| 214912-08 | CELL | 0,63 | FL 1x18 | G13 | 1350lm-4000K-Ra 1b | WHITE |

Accessories



- 2511 one-lamp powered



- 2510 one-lamp suspension

Download

DXF 2D
- 413.dxf

Montaggi
- boreale 2013.pdf