

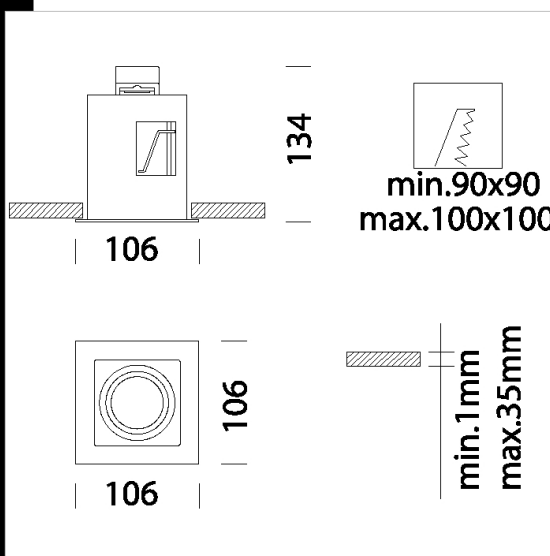
## Minishop 1A

Housing: Steel plate.  
 Coating: Power-coated with a UV-resistant polyester paint.  
 Equipment: Supplied with springs ensuring perfect adherence to 1 to 30 mm thick false ceilings.  
 Regulations: Manufactured in accordance with standards EN60598 – CEI 34 –21. Degree of protection in accordance with standards EN60529.  
 Power factor: 0.8  
 Luminous flux maintenance 70% 25000h (L70B50)

### Download

DXF 2D  
 - minishop1.dxf

Montaggi  
 - MINISHOP A rev3.pdf



Code	Gear	Kg	Lumen Output-K-CRI	WTot	Colour
182611-00	CLD CELL-D	0,60	LED SMD-500lm-3000K-38°-CRI 80	6 W	WHITE

The reported luminous flux is the flux emitted by the light source with a tolerance of  $\pm 10\%$  compared to the indicated value. The W tot column indicates the total wattage absorbed by the system without exceeding 10% of the indicated