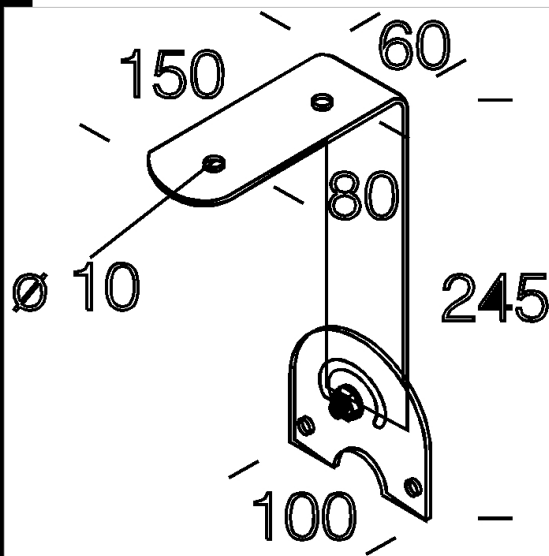
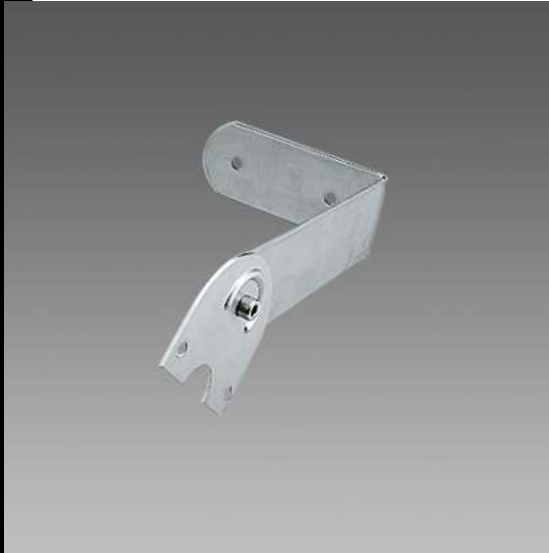


996 adjustable bracket

In steel or stainless steel,



Code	Kg	WTot	Colour
166670-00	1,05	0 W	STAINLESS STEEL

Prodotti

	- 1995 Gallery - 2 lamp narrow		- 1996 Gallery - 2 lamp wide		- 998 Eterna - stainless		- 1997 Gallery - asymmetric
	- 1992 Gallery - 1 lamp FS		- 1993 Gallery - 1 lamp wide beam		- 990 Steel T8 - steel+glass		- 992 Eterna T8 - stainless steel+glass
	- 989 Eterna T8 - stainless steel+polycarbonate		- 1994 Gallery - 1 lamp street type		- 992 Eterna - T5 Diffusor in tempered glass		- 999 Forma T8 - stainless steel+glass
	- 994 Forma T8 - steel+glass		- 991 Steel T8 - steel+polycarbonate		- 993 Forma ATEX - with transparent glass		- 999 Forma T5 - stainless steel+glass
	- 994 Forma T5 - steel+glass		- 991 Steel T5 -		- 990 Steel T5 - steel+glass		- 989 Eterna T5 - stainless
	- 995 Forma LED - with etched glass		- 993 Forma LED - transparent glass		- 983 Forma LED - without hooks for the food industry		- 997 Forma LED - with polycarbonate diffuser
	- 988 Forma LED HT - High temperature						

Download

DXF 2D
- d996.dxf

Montaggi
- 996.pdf

The reported luminous flux is the flux emitted by the light source with a tolerance of $\pm 10\%$ compared to the indicated value. The W tot column indicates the total wattage absorbed by the system without exceeding 10% of the indicated