

981 Lunar T5

Housing: Injection moulded, in RAL 7035 grey, vandal resistant and self-extinguishing, UV-stabilized polycarbonate with high mechanical resistance due to the frame reinforced by internal ribbing.

Diffuser: Anti-dazzle protective tube in clear polycarbonate, scored inside and smooth outside, dust-proof, vandal resistant and V2 self-extinguishing. UV-stabilized, anti-yellowing.

Lampholder: Water-proof in polycarbonate, with bronze contacts. Socket G5.

Electric gear: 230V/50 Hz power supply. Hard wire, 0.50 sqmm cross-section, PVC-HT sheath resistant up to 90°C, according to CEI 20-20 standards. 2P terminal block with maximum allowed lead cross-section of 4 sqmm.

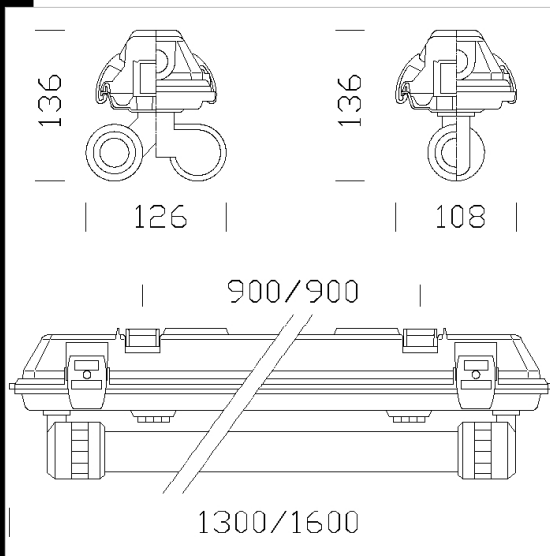
Equipment: Nylon fibreglass cable gland, Ø 1/2 gas thread. Spring hook in stainless steel, for suspension by chain. Environment-friendly gasket in polyurethane foam.

Mounting: Suspended, ceiling or on commercial track

Regulations: Produced according to applicable EN60598-1 CEI34-21 standards, degree of protection IP65IK08 according to EN 60529 standards. Can be installed on normally inflammable surfaces. They have been granted the ENEC European Certificate of Conformity. Glow wire tested at 850°C. Insulation class II.

Additional gear: Electronic ballast and emergency kit.

Emergency version: In the event of a blackout, one lamp connected to the emergency circuit remains on, thus avoiding the inconvenience usually caused by sudden power failure. Its emergency run time is 60 minutes. When power supply is restored, the battery recharges automatically.



Code	Gear	Kg	Watt	Base	Lamps	Colour
166450-00	CEL	1,50	FL 1x28	G5	na-na-na	GREY
166450-07	CEL-E	2,14	FL 1x28	G5	2650lm-4000K-Ra 1b	GREY
166460-00	CEL	1,92	FL 1x49	G5	na-na-na	GREY
166460-07	CEL-E	2,70	FL 1x49	G5	4350lm-4000K-Ra 1b	GREY
166470-00	CEL	1,86	FL 2x28	G5	na-na-na	GREY
166470-07	CEL-E	2,46	FL 2x28	G5	2650lm-4000K-Ra 1b	GREY
166480-00	CEL	2,30	FL 2x49	G5	na-na-na	GREY
166480-07	CEL-E	3,08	FL 2x49	G5	na-na-na	GREY

Accessori



- 937 1-lamp ceiling bracket



- 969 narrow-beam reflector for art.981



- 968 aluminium reflector for art.981



- 967 steel reflector for art.981

Download

DXF 2D
- 981.dxf

Montaggi
- lunar.pdf