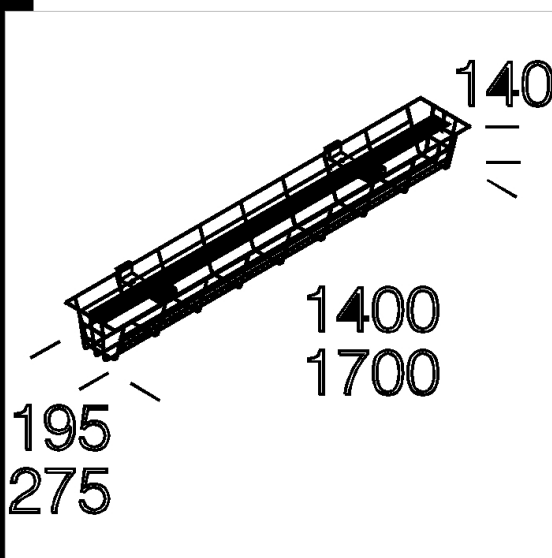
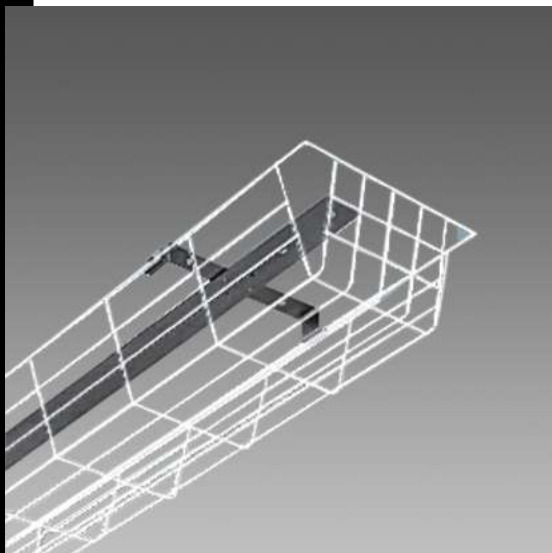


975 shock-resist.guard

In shiny plastic coated steel wire.  
Impact resistant guard to be fixed directly to ceiling.



Download

DXF 2D  
- d975.dxf

Code	Kg	Lumen-K-CRI	WTot	Base	Colour
165566-00	1,20	FL 2x36-3350lm-4000K-Ra 1b	0 W	G13	WHITE
165567-00	1,00	FL 2x58-5200lm-4000K-Ra 1b	0 W	G13	WHITE
165565-00	0,90	FL 1x58-5200lm-4000K-Ra 1b	0 W	G13	WHITE
165564-00	0,80	FL 1x36-3350lm-4000K-Ra 1b	0 W	G13	WHITE

Prodotti



The reported luminous flux is the flux emitted by the light source with a tolerance of ± 10% compared to the indicated value. The W tot column indicates the total wattage absorbed by the system without exceeding 10% of the indicated