

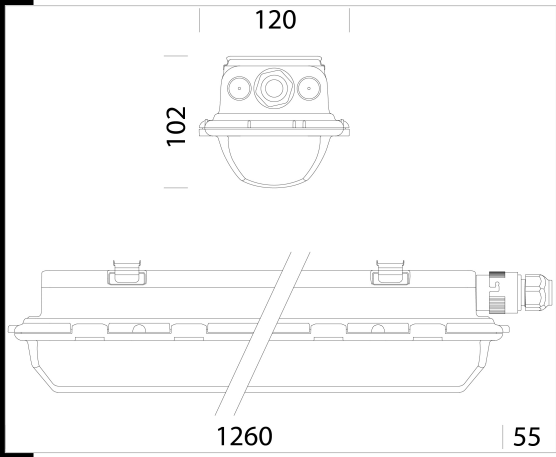
970 Thema - LED

New is also the extraordinary Thema characterised by the best technical features of Disano waterproof fixtures, but with substantial differences that make it stand out from our most important competitors. Housing: injection moulded, in grey polycarbonate, shatter-proof, UV-stabilised, highly resistant to mechanical impacts thanks to the reinforced structure with internal ribbing. Diffuser: injected moulded in polycarbonate with internal ribbing for greater lighting control, in V2 self-extinguishing, UV-stabilised material; its smooth outer finish makes cleaning easier and increases lighting efficiency. Equipped with stainless steel screw clamping. Reflector: in galvanised steel, previously stone-enamelled with UV-stabilised polyester resin. Clamping device manufactured directly onto the housing.

Dimensions: L 1260mm - 102mm - 120mm Standard supply: eco-friendly and anti-aging expanded polyurethane injected gasket. The fixing brackets for ceiling and suspension mounting are in stainless steel. Socket-plug connector. The fixture is secured to the fixing brackets through quick connectors. Regulations: manufactured in compliance with EN60598-1, EN60598-2-1. Degree of protection: pursuant to EN60598-1.

Power factor: ≥ 0.95 Luminous flux maintenance after L80B50 50.000h. Photobiological safety class: exempt
Low Flicker Risk STANDARD: Ambient temperature: -30°C to + 40°C
EM: Ambient temperature: +5°C to + 40°C Upon request: -New Hydro LED with narrow beam: subcode -22; -With radar sensor for ON-OFF fixtures: subcode -19; -New Hydro LED with pass-through wiring for continuous line mounting: subcode -0072. - Emergency wiring with centralized power supply CLD CELL-EC (sub-code -0050). For installations with direct exposure to sunlight, we recommend using Forma LED.

This lighting fixture meets the global standards of the International Food Safety (IFS), the British Retail Consortium (BRC) and the HACCP Directive regarding the safety of the lighting systems in the food industry.



Download
DXF 2D
- 962.dxf
Montaggi
- hydro-thema EM-continuous 09-21.pdf
- hydro-thema 10-21.pdf
BIM
- 970 Thema - LED - 20200214.zip

Code	Gear	Kg	Lumen Output-K-CRI	WTot	Colour
164731-00	CLD	1.80	LED-2670lm-4000K-CRI80	19 W	GREY
164731-07	CLD-E	2.32	LED-2670lm-4000K-CRI80	22 W	GREY
164734-00	CLD	1.78	LED-4328lm-4000K-CRI80	34 W	GREY
164734-07	CLD-E	2.30	LED-4328lm-4000K-CRI80	37 W	GREY
164732-00	CLD	1.84	LED-3442lm-4000K-CRI80	25 W	GREY
164732-07	CLD-E	2.30	LED-3442lm-4000K-CRI80	28 W	GREY
164735-00	CLD	1.86	LED-6384lm-4000K-CRI80	49 W	GREY
164735-07	CLD-E	2.29	LED-6384lm-4000K-CRI80	52 W	GREY

The reported luminous flux is the flux emitted by the light source with a tolerance of $\pm 10\%$ compared to the indicated value. The W tot column indicates the total wattage absorbed by the system without exceeding 10% of the indicated