

927 Echo 3000/6500K - double version LED - ES



Born from the experience of Disano, the waterproof LED fixture benefits from the technology, engineering and reliability proven throughout the years by Disano, which has always been a global leader in the manufacturing of waterproof lighting fixtures. The lamp's housing is in shatterproof polycarbonate, with IP66 protection rating, particularly resistant thanks to the reinforced structure with internal ribbing. Mounting is made simple by the stainless steel bracket that is supplied with the product and allows ceiling mounting, while the spring hook enables the lamp to be quickly hooked to any chain suspension system. Moreover special guide grooves guarantee perfect alignment of the fixtures in a continuous row. These characteristics are supported by all the benefits of LED technology, i.e. light sources with a very long life (80,000 hours), low consumption and high light quality.

HOUSING: Injection moulded, in RAL 7035 grey polycarbonate, vandal resistant, UV stabilized, high mechanical resistance due to the frame reinforced by internal ribbing.

DIFFUSER: Injection moulded, in V2 self-extinguishing polycarbonate, UV stabilized, clear polycarbonate, prismatic inside for better light control and high lighting performance. The external smooth finish facilitates cleaning, essential to maintain maximum lighting efficiency.

EQUIPMENT: plug connector.

REGULATIONS: Produced according to applicable EN60598-1 CEI34-21 standards, degree of protection IP66IK08 according to EN60529. Can be installed on normally inflammable surfaces. Glow wire tested at 850°C. life 80.000h to 80% L80B20

Photobiological safety class: exempt group EN62471.

On request: High performance version, dimmable, Narrow beam version (Sub 22)

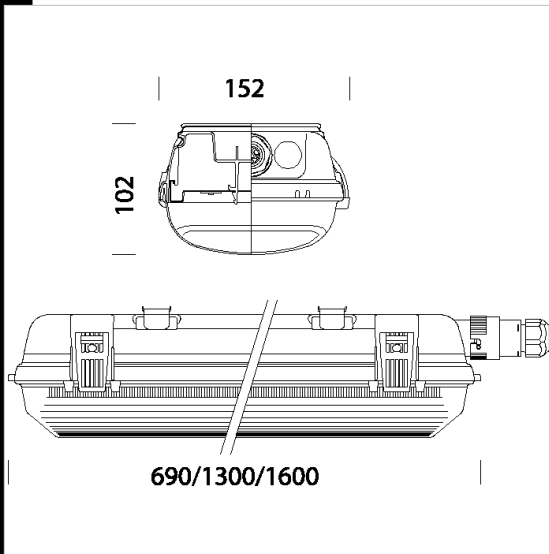
Order 371/372 accessories to complete the continuous lines.

RADAR SENSOR (subcode -19): an electronic device that immediately detects any presence entering its range. When the sensor reads movement inside its range, lights will stay on. When it no longer detects movement within its range, lights will turn off after a pre-set time.

THE POLYCARBONATE WATER-PROOF LIGHTING fittings have a level of water protection rated at IP66IK08 if installed in environments with temperatures that do not exceed 45°C. Direct exposure to sunlight causes the temperature to readily exceed 45°C, compromising the degree of protection IP66IK08. The lighting fittings must be used appropriately without changing the mechanical and protection features and must not be installed on surfaces subject to strong vibrations, outdoors on cables or poles.

This lighting fixture meets the global standards of the International Food Safety (IFS), the British Retail Consortium (BRC) and the HACCP Directive regarding the safety of the lighting systems in the food industry.

In any case, it will be necessary to contact appointed designers and Disano's consultancy office to check the compatibility of materials with the food products processed and in all industrial environments where sanitizing systems are installed.



Code	Gear	Kg	Lumen Output-K-CRI	WTot	Colour
164705-39	CLD	2.67	LED-6933lm-3000K-CRI 80	50 W	GREY
164704-39	CLD	2.20	LED-5199lm-3000K-CRI 80	38 W	GREY
164703-39	CLD	1.35	LED-2887lm-3000K-CRI 80	21 W	GREY
164703-0083	CLD	1.35	LED-3102lm-6500K-CRI>80	21 W	GREY
164704-0083	CLD	2.20	LED-5585lm-6500K-CRI>80	38 W	GREY
164705-0083	CLD	2.63	LED-7448lm-6500K-CRI>80	50 W	GREY
164703-0783	CLD-E	1.85	LED-3102lm-6500K-CRI>80	24 W	GREY
164704-0783	CLD-E	2.90	LED-5585lm-6500K-CRI>80	0 W	GREY
164705-0783	CLD-E	3.67	LED-7448lm-6500K-CRI>80	0 W	GREY


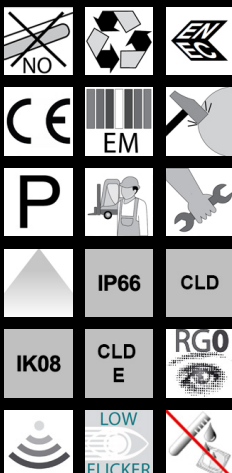
Accessories



- 372



- 371 quick connector

Download

DXF 2D
- 957bila.dxf

Montaggi
- echo led.pdf

BIM
- 927 Echo - 2-lamp version LED - 3000K-6500K - 20200214.zip

The reported luminous flux is the flux emitted by the light source with a tolerance of ± 10% compared to the indicated value. The W tot column indicates the total wattage absorbed by the system without exceeding 10% of the indicated