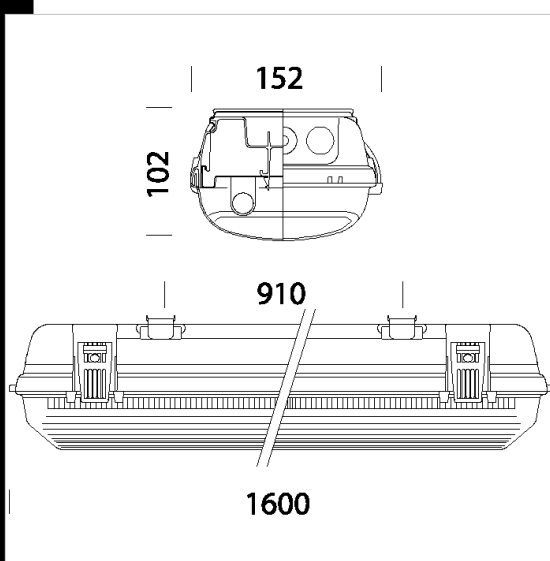


923 Hydro T5 FS



HOUSING: Injection moulded, in RAL 7035 grey polycarbonate, vandal resistant and self-extinguishing, UV stabilized, high mechanical resistance due to the frame reinforced by internal ribbing.

DIFFUSER: Injection moulded, in V2 self-extinguishing polycarbonate, UV stabilized, clear polycarbonate, prismatic inside for better light control and high lighting performance. The external smooth finish facilitates cleaning, essential to maintain maximum lighting efficiency.

REFLECTOR: In cold rolled steel, hot-dip galvanized, anti-cracking, coating with 7/8 μ epoxy primer, UV-stabilized coating, anti-yellowing, high-gloss polyester, white, 20 μ thick.

LAMPHOLDER: In white polycarbonate, with phosphor bronze contacts. Socket G5.

ELECTRIC GEAR: 230-240V/50Hz power supply, with conventional ballast. Hard wire, 0.50 sqmm cross-section PVC-HTsheath resistant up to 90°C, according to CEI20-20 standards 2P+T terminal block with fuse holder, maximum allowed lead cross-section of 2.5 sqmm.

EQUIPMENT: 3.15 A protective fuse. Nylon fibreglass cable gland, \varnothing 1/2 gas thread. Environment-friendly gasket in polyurethane foam. Latches in f.g. nylon. Provision for clamping with steel screws.

REGULATIONS: Produced according to applicable EN60598-1 CEI34-21 standards, degree of protection IP66IK08 according to EN60529. Can be installed on normally inflammable surfaces. It has been granted the ENEC European Certificate of Conformity. Glow wire tested at 850°C.

THE POLYCARBONATE WATER-PROOF LIGHTING fittings have a level of water protection rated at IP66IK08 if installed in environments with temperatures that do not exceed 45°C. Direct exposure to sunlight causes the temperature to readily exceed 45°C, compromising the degree of protection IP66IK08. The lighting fittings must be used appropriately without changing the mechanical and protection features and must not be installed on surfaces subject to strong vibrations, outdoors on cables or poles.

Code	Gear	Kg	Watt	Base	Lamps	Colour
164576-00	CELL-F	3,18	FL 1x80	G5	6550lm-4000k-Ra 1b	GREY
164575-08	CEL-F	3,00	FL 1x58	G13	na-na-na	GREY

Accessori



- 975 shock-resist guard



- 6036 universal connection



- 936 screws for catches



- 461 inox latch



- 938 junction sleeve



- 46 knife switch

IK08		
CELL-F		
	CE	V2
CEL-F		
UV	EM	
		DIMM
IP66	MAIN CONTROL SYSTEM	EL

Download

- DXF 2D
- 923.dxf
- Montaggi
- hydro.pdf