

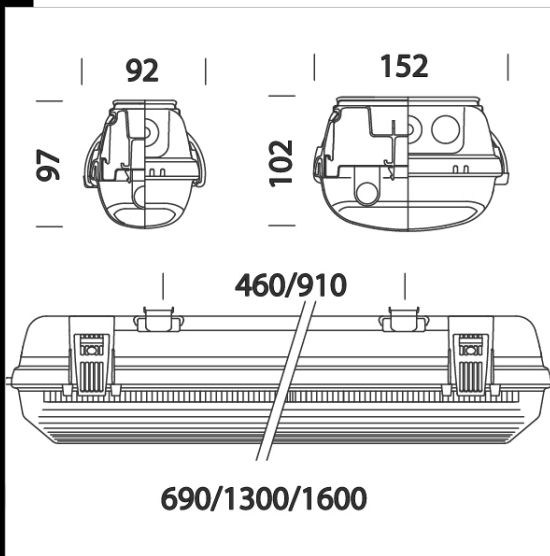
## 921 Echo - DESIGNED TO FIT LED TUBES

**HOUSING:** Injection moulded, in RAL 7035 grey polycarbonate, vandal resistant, UV stabilized, high mechanical resistance due to the frame reinforced by internal ribbing.

**DIFFUSER:** Injection moulded, in V2 self-extinguishing polycarbonate, UV stabilized, clear polycarbonate, prismatic inside for better light control and high lighting performance. The external smooth finish facilitates cleaning, essential to maintain maximum lighting efficiency.

**REGULATIONS:** Produced according to applicable EN60598-1 CEI34-21 standards, degree of protection IP66IK08 according to EN60529. Can be installed on normally inflammable surfaces. Glow wire tested at 850°C.

As standard, it comes with lamp holder with G13 connector; it can be installed directly of LED lamp (230Vac).



### Download

DXF 2D

- 920.dxf

Montaggi

- 921 tubes 09-19.pdf

Code	Gear	Kg	Lumen Output-K-CRI	WTot	Colour
164531-03	CLD S	0.63	LED TUBE max 16W---	0 W	GREY
164532-03	CLD S	0.93	LED TUBE max 24W---	0 W	GREY
164533-03	CLD S	0.82	LED TUBE max 2x10W---	0 W	GREY
164534-03	CLD S	2.00	LED TUBE max 2x16W---	0 W	GREY
164535-03	CLD S	2.36	LED TUBE max 2x24W---	0 W	GREY

The reported luminous flux is the flux emitted by the light source with a tolerance of  $\pm 10\%$  compared to the indicated value. The W tot column indicates the total wattage absorbed by the system without exceeding 10% of the indicated