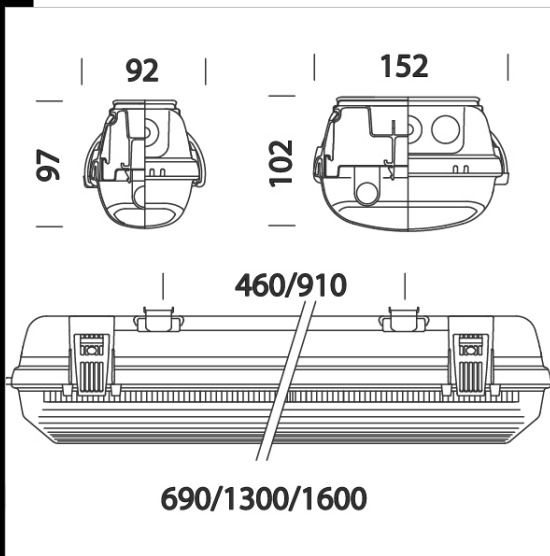


Download

DXF 2D
- 920.dxf



921 Hydro ATEX protection "nA"

Housing: injection moulded in grey polycarbonate, RAL 7035, vandal resistant and self-extinguishing, UV stabilized, high mechanical resistance, supplied with stainless steel latches.

Diffuser: injection moulded, in clear polycarbonate, prismatic on the inside, self-extinguishing and UV stabilized.

Reflector: in pre-enamelled galvanized steel, white, anti-yellowing treatment.

Gaskets: all the gaskets are integrated and made of anti-ageing material.

Cable gland: resistant to impact, suitable for application in explosion-prone areas.

Electronic ballast: cathode preheating, thermal protection and energy efficiency class A2.

Internal electric gear: single-pole PVC cable with 0.5 sq mm cross section, heat resistant at 90°C.

Equipment protection level EPL Gc

Lighting fixture for potentially explosive atmospheres due to the presence of dust, with an "increased" protection level, that does not constitute a source of ignition during normal operation and that can have extra protections to make sure it does not cause ignition in the case of regular and expected failures.

Lighting fixtures with this protection level are suitable for use in areas classified as Zone 2.

Protection types "nA"

Device constructed to minimise the risk of arcs or sparks capable of creating an ignition hazard during normal operation.

Lighting fixtures with this protection level are suitable for use in areas classified as Zone 2.

Not to be installed on surfaces subject to strong vibrations, outdoor on hanging ropes, walls, under metal grids, rods, or in any event, exposed to direct sunlight.

Code	Gear	Kg	Lumen-K-CRI	WTot	Base	Colour
164525-09	CEL-F	3.40	FL 2x58-5200lm-4000K-Ra 1b	110 W	G13	GREY

Accessories



- 975 shock-resist guard



- 6036 universal connection



- 46 knife switch



- 936 screws for catches



- 938 junction sleeve



- 939 narrow beam reflector



- 940 narrow-beam reflector



- 942 2-l-wide-beam reflector

The reported luminous flux is the flux emitted by the light source with a tolerance of $\pm 10\%$ compared to the indicated value. The W tot column indicates the total wattage absorbed by the system without exceeding 10% of the indicated