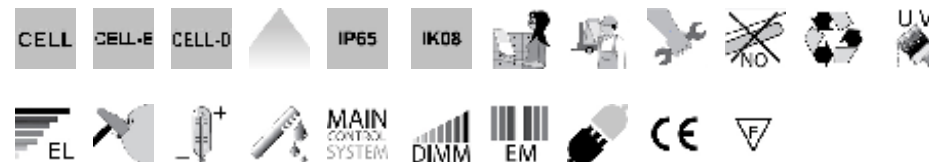
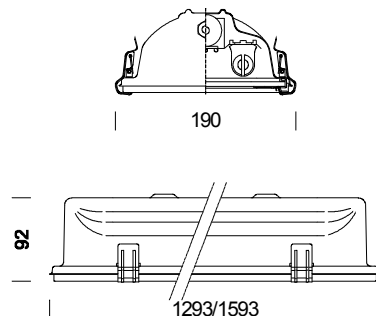


## 994 Forma T5 - steel+glass



Code	Gear	Kg	Colour	Dimensions	lamp
162480-00	CELL	6.70	grey	1293x190x92	FL 1x54-G5-4450lm-4000K-Ra 1b
162481-00	CELL	8.90	grey	1593x190x92	FL 1x49-G5-4350lm-4000K-Ra 1b
162482-00	CELL	7.00	grey	1293x190x92	FL 2x54-G5-4450lm-4000K-Ra 1b
162483-00	CELL	1.40	grey	1593x190x92	FL 2x49-G5-4350lm-4000K-Ra 1b
162480-09	CELL-E	7.20	grey	1293x190x92	FL 1x54-G5-4450lm-4000K-Ra 1b
162981-09	CELL-E	8.40	grey	1593x190x92	FL 1x49-G5-4350lm-4000K-Ra 1b
162482-09	CELL-E	7.50	grey	1293x190x92	FL 2x54-G5-4450lm-4000K-Ra 1b
162483-09	CELL-E	11.00	grey	1593x190x92	FL 2x49-G5-4350lm-4000K-Ra 1b
162480-12	CELL-D	6.70	grey	1293x190x92	FL 1x54-G5-4450lm-4000K-Ra 1b
162481-12	CELL-D	8.90	grey	1593x190x92	FL 1x49-G5-4350lm-4000K-Ra 1b
162482-12	CELL-D	7.00	grey	1293x190x92	FL 2x54-G5-4450lm-4000K-Ra 1b
162483-12	CELL-D	10.40	grey	1593x190x92	FL 2x49-G5-4350lm-4000K-Ra 1b

Housing: In steel, drawn in a single piece with high mechanical resistance. Complete with frame in pressed steel, drawn in a single piece with high mechanical resistance.

Diffuser: In 5 mm thick, shock resistant, tempered glass.

Reflector: In pre-painted steel, white, anti-yellowing.

Painting: In polyester powder, RAL 7035 colour, upon phosphate treatment, resistant to corrosive and saline environments.

Lampholder: In polycarbonate, with contacts in phosphor bronze. Socket G5.

---

Electric gear: 230V/50Hz power supply. Hard wire, 0.50 sqmm lead cross-section, and PVC-HT sheath resistant up to 90°C according to CEI 20-20 standards. 2P+T terminal block, maximum allowed lead cross-section of 2.5 sqmm.

Equipment: Silicone rubber gasket. Nylon fibreglass cable gland, Ø 1/2 gas thread (cable min. Ø 9, max Ø 12). Locking system in stainless steel. Standard eyebolt with threaded rod. Installable on track art. 6000 by acc. 6036.

Regulations: Produced according to applicable EN60598-1 CEI 34-21 standards, IP65IK08 degree of protection according to EN 60529 standards. It has been granted the ENEC European Certificate of Conformity.

These fixtures can be installed on normally inflammable surfaces.