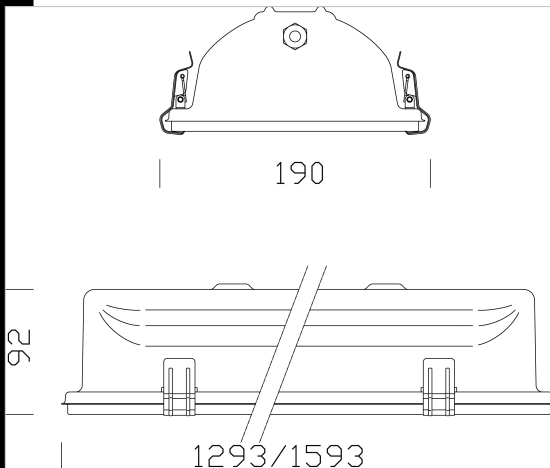




		IP65
		CLD
IK08	RGO	+40 C° -20
UNI EN ISO 9227	LOW FLICKER	

993 Forma ATEX - with transparent glass

Diffuser: In 5 mm thick, shock resistant, tempered glass.
 Painting: In polyester powder, RAL 7035 colour, upon phosphate treatment, resistant to corrosive and saline environments.
 Equipment: Silicone rubber gasket. M20 nickel-plated brass cable gland, Ø 1/2 gas thread (cable min. Ø 9, max Ø 12). Locking system in stainless steel. Standard eyebolt with threaded rod. Installable on track art. 6000 by acc. 6036.
 Regulations: Produced according to applicable EN60598-1 CEI 34-21 standards, IP65IK08 degree of protection according to EN 60529 standards. These fixtures can be installed on normally inflammable surfaces.
 LED: Latest generation LED technology, life 50.000h to 80% L80B20
 Photobiological safety class: exempt group EN62471.
 993 ATEX Protection against explosions II 3G Ex nA op is IIC T4 IP65 Gc II 3D Ex tc IIIC T135°C IP65 Dc Allowed dangerous area Zone 2; Zone 22 Allowed room temperature -20°C ÷ +40°C Degree of protection IP65 Installation ceiling - suspension Casing mechanical resistance IK08 Reference regulations EN 60079-0; EN 60079-15; EN 60079-31; EN 60079-28



Download
 DXF 2D
 - formaled.dxf
 BIM
 - 993 Forma ATEX - with transparent glass - 20200613.zip

Code	Gear	Kg	Lumen-K-CRI	WTot	Colour
162495-00	CLD	7.28	LED-6000lm-4000K-CRI80	45 W	GREY
162496-00	CLD	9.35	LED-9264lm-4000K-CRI80	65 W	GREY

Accessories



- 996 adjustable bracket

The reported luminous flux is the flux emitted by the light source with a tolerance of ± 10% compared to the indicated value. The W tot column indicates the total wattage absorbed by the system without exceeding 10% of the indicated