



994 Forma T5 - steel+glass

Housing: In steel, drawn in a single piece with high mechanical resistance. Complete with frame in pressed steel, drawn in a single piece with high mechanical resistance.

Diffuser: In 5 mm thick, shock resistant, tempered glass.

Reflector: In pre-painted steel, white, anti-yellowing.

Painting: In polyester powder, upon phosphate treatment, resistant to corrosive and saline environments.

Lampholder: In polycarbonate, with contacts in phosphor bronze. Socket G5.

Electric gear: 230V/50Hz power supply. Hard wire, 0.50 sqmm lead cross-section, and PVC-HT sheath resistant up to 90°C according to CEI 20-20 standards. 2P+T terminal block, maximum allowed lead cross-section of 2.5 sqmm.

Equipment: Silicone rubber gasket. Nylon fibreglass cable gland, Ø 1/2 gas thread (cable min. Ø 9, max Ø 12). Locking system in stainless steel. Standard eyebolt with threaded rod. Installable on track art. 6000 by acc. 6036.

Regulations: Produced according to applicable EN60598-1 CEI 34-21 standards, IP65IK08 degree of protection according to EN 60529 standards. It has been granted the ENEC European Certificate of Conformity.

These fixtures can be installed on normally inflammable surfaces.

NO CELL

CE IP65

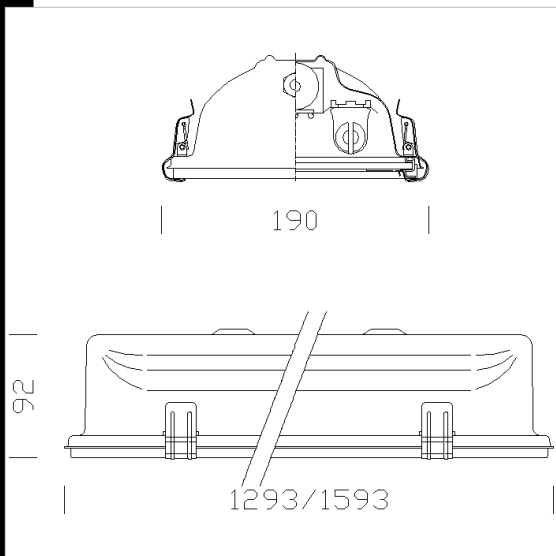
EL U.V. EM

MAIN CONTROL SYSTEM

DIMM

CELL-E IK08

CELL-D



Code	Gear	Kg	Lumen-K-CRI	WTot	Base	Colour
162480-09	CELL-E	7.94	FL 1x54-4450lm-4000K-Ra 1b	63 W	G5	GREY
162483-09	CELL-E	9.88	FL 2x49-4350lm-4000K-Ra 1b	115 W	G5	GREY
162480-12	CELL-D	7.60	FL 1x54-4450lm-4000K-Ra 1b	58 W	G5	GREY
162483-12	CELL-D	8.84	FL 2x49-4350lm-4000K-Ra 1b	97 W	G5	GREY
162480-00	CELL	7.30	FL 1x54-4450lm-4000K-Ra 1b	59 W	G5	GREY
162481-00	CELL	9.10	FL 1x49-4350lm-4000K-Ra 1b	55 W	G5	GREY
162482-00	CELL	8.20	FL 2x54-4450lm-4000K-Ra 1b	109 W	G5	GREY
162482-09	CELL-E	8.24	FL 2x54-4450lm-4000K-Ra 1b	113 W	G5	GREY
162482-12	CELL-D	7.72	FL 2x54-4450lm-4000K-Ra 1b	115 W	G5	GREY
162481-12	CELL-D	9.10	FL 1x49-4350lm-4000K-Ra 1b	51 W	G5	GREY
162483-00	CELL	9.16	FL 2x49-4350lm-4000K-Ra 1b	111 W	G5	GREY
162481-09	CELL-E	9.64	FL 1x49-4350lm-4000K-Ra 1b	59 W	G5	GREY

Accessories



- 940 narrow-beam reflector



- 996 adjustable bracket



- 943 wide-beam reflector



- Frame - with matt glass - Forma



- LED Reflector - Forma

The reported luminous flux is the flux emitted by the light source with a tolerance of ± 10% compared to the indicated value. The W tot column indicates the total wattage absorbed by the system without exceeding 10% of the indicated